



AirEx ARX

AIR COOLED HEAT EXCHANGERS

AirEx ARX Heat Exchangers

When you're looking for a compact, well-constructed, dependable air cooled unit, turn to AirEx ARX.

FEATURES INCLUDE:

- Non-louvered fin design provides high heat transfer rates, prevents clogging and is easy to clean
- Low noise options offer slower fan speeds for reduced noise level and lower fan hp requirements
- Thermally efficient. Up to 65% smaller than fin tube designs
- Rugged bar and plate construction

We have the broadest range of heat exchangers to choose from to suit your application. For assistance in determining the appropriate design for your application, contact your Standard Xchange representative.

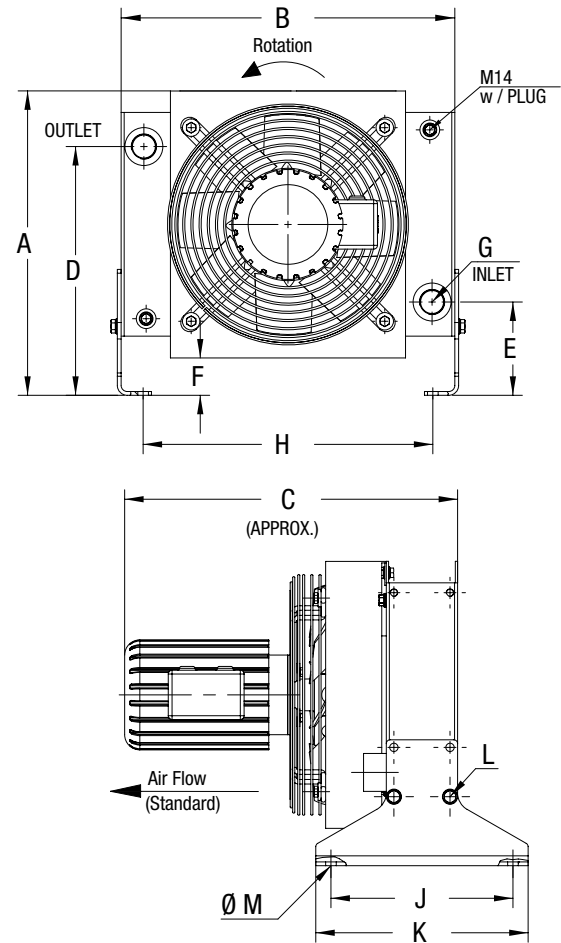
SPECIFICATIONS

Ratings

Max. Working Pressure (ARX5 through ARX130).....377 psi
 Max. Working Pressure (ARX160 through ARX275) ...250 psi
 Max. Working Temperature 250°F

Materials

Cooler..... Aluminum Shroud..... Powder, Painted Steel
 Fan Guard Zinc, Plated Steel
 Fan Blade Polypropylene Blades / Aluminum Hub
 Mounting Brackets..... Powder, Painted Steel



ARX/ARXL SERIES DIMENSIONS

Model Size	A	B	C (Approx.)	D	E	F	G	H	J	K	L	M
ARX/ARXL5	13.74	13.78	12.56	11.38	4.37	1.97	#12 SAE 1 1/16-12 UN-2B	11.93	7.09	8.66	M6-1 X12MM Bolt (4 PL)	Ø 0.55
ARX/ARXL8	14.25	13.78	13.27	11.85	4.84	2.48	#12 SAE 1 1/16-12 UN-2B	11.93	7.09	8.66		Ø 0.55
ARX/ARXL10	15.91	15.75	14.50	12.54	4.87	1.50	#16 SAE 1 5/16-12 UN-2B	13.86	7.09	8.66	M8-1.25 X16MM Bolt (4 PL)	Ø 0.55
ARX/ARXL15	15.91	16.54	16.00	12.15	5.26	1.50	#16 SAE 1 5/16-12 UN-2B	14.65				Ø 0.55
ARX/ARXL20	19.6	21.65	15.50	16.24	4.87	1.50	#20 SAE 1 5/8-12 UN-2B	19.76				Ø 0.55
ARX/ARXL30	24.03	25.59	16.75	20.63	4.88	1.50	#20 SAE 1 5/8-12 UN-2B	23.70				Ø 0.55
ARX/ARXL40	24.03	26.38	18.00	17.68	7.84	1.50	#20 SAE 1 5/8-12 UN-2B	24.49	10.24	11.81	M10-1.5 X20MM Bolt (8 PL)	Ø 0.55
ARX/ARXL55	25.89	30.31	19.50	19.50	7.84	1.50	#20 SAE 1 5/8-12 UN-2B	28.32	10.24	11.81		Ø 0.55
ARX/ARXL70	30.19	36.22	21.80	23.00	10.69	1.50	2" SAE 4-Bolt FLANGE	34.22	21.10	22.64	M12-1.75 X25MM Bolt (8 PL)	Ø 0.55
ARX/ARXL90	30.19	37.01	23.30	21.00	10.69	1.50		35.01	21.10	22.64		Ø 0.55
ARX/ARXL105	33.26	38.98	23.40	24.07	10.69	1.50		36.98	21.10	22.64		Ø 0.55
ARX/ARXL130	37.56	40.94	25.10	29.27	9.80	1.50		39.06	21.10	22.64		Ø 0.55
ARX/ARXL160	38.40	43.62	29.50	31.27	9.94	2.00	3" SAE 4-Bolt FLANGE	40.17	14.72	17.72	3/4-10 x 1.75 Bolt (8 PL)	Ø 0.75
ARX/ARXL215	46.96	49.49	30.80	36.03	12.73	2.00		48.22	15.70	18.70		Ø 0.75
ARX/ARXL275	59.76	53.68	30.70	43.62	17.56	2.00		50.34	17.67	20.67		Ø 0.75

Dimensions are in inches. We reserve the right to make reasonable design changes without notice. Weights are in pounds.



Xylem
www.xylem.com/standardxchange
 Standard Xchange is a trademark of Xylem Inc. or one of its subsidiaries.
 © 2019 Xylem Inc. 104-03R1 March 2019



603-210-2479 MIKE@BONARDI.COM