



SSPC

ENCLOSED IMPELLER CENTRIFUGAL PUMP



AMERICAN STAINLESS PUMPS, INC.
Stainless Steel Pumps for the Commercial Marketplace

The pump model SSPC is the Enclosed impeller version of our original six inch stainless pump. Enclosed impeller centrifugal pumps offer higher efficiency than similar open impeller pumps, and are designed for pumping cleaner liquids without high levels of solids. The SSPC is well suited for cleaning, cooling, circulation and transfer applications.



Characteristics

The SSPC is a single stage, centerline discharge, enclosed impeller centrifugal pump. The pump is fabricated of 304 Stainless Steel and close coupled to an electric motor. The SSPC relies upon a mechanical seal to prevent leakage around the motor shaft, and an o-ring to seal the casing to the sealplate. Seal and o-ring materials are available to suit most applications. A 1/8" NPT drain is plugged at the bottom of the casing. A number of mounting configurations are available for ease of installation.



Advantages

The SSPC was designed to provide users the benefits of stainless steel at the price of a cast iron pump. Our suction and discharge nozzles are machined from stainless pipe and provide reliable and strong leak free connections. The pump casing is built to support the weight of the pump and motor in vertical mounting if desired, as well as to allow air to easily vent from the pump. Both open and enclosed impellers can be interchanged in the same SSPC casing.

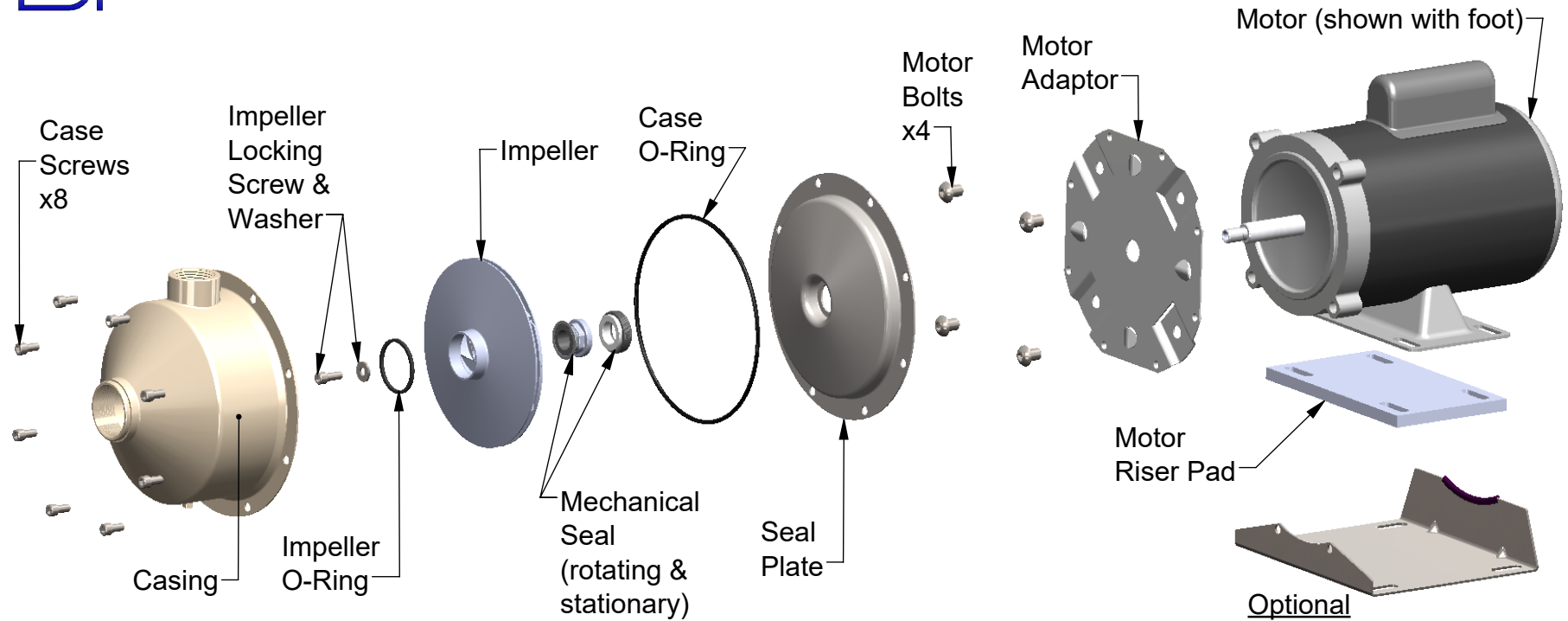
Specifications

- Flows to 200 gal/min and Heads up to 130 feet.
- Pressure capabilities up to 120 psig.
- Temperatures to 250 F.
- Female NPT threaded Suction and discharge nozzles.
- Size 1: 1.0" x 1.25"
- Size 2: 1.5" x 2.0"
- ½ to 5.0 horsepower motors. Service in both 60 and 50-Hz.
- Mechanical Seal faces in carbon vs ceramic, carbon vs silicon carbide and silicon carbide vs silicon carbide, with elastomers in Buna N, Viton and EPR

Optionally Available

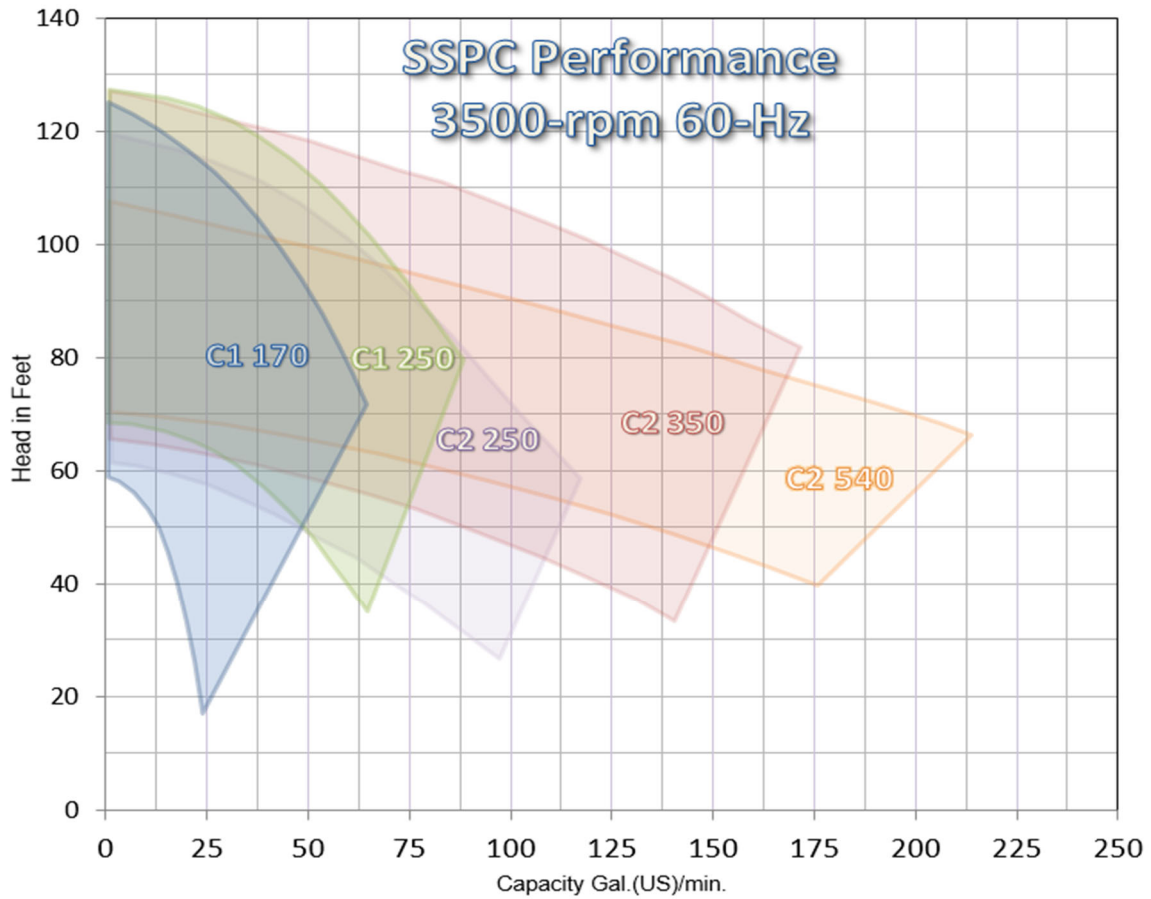
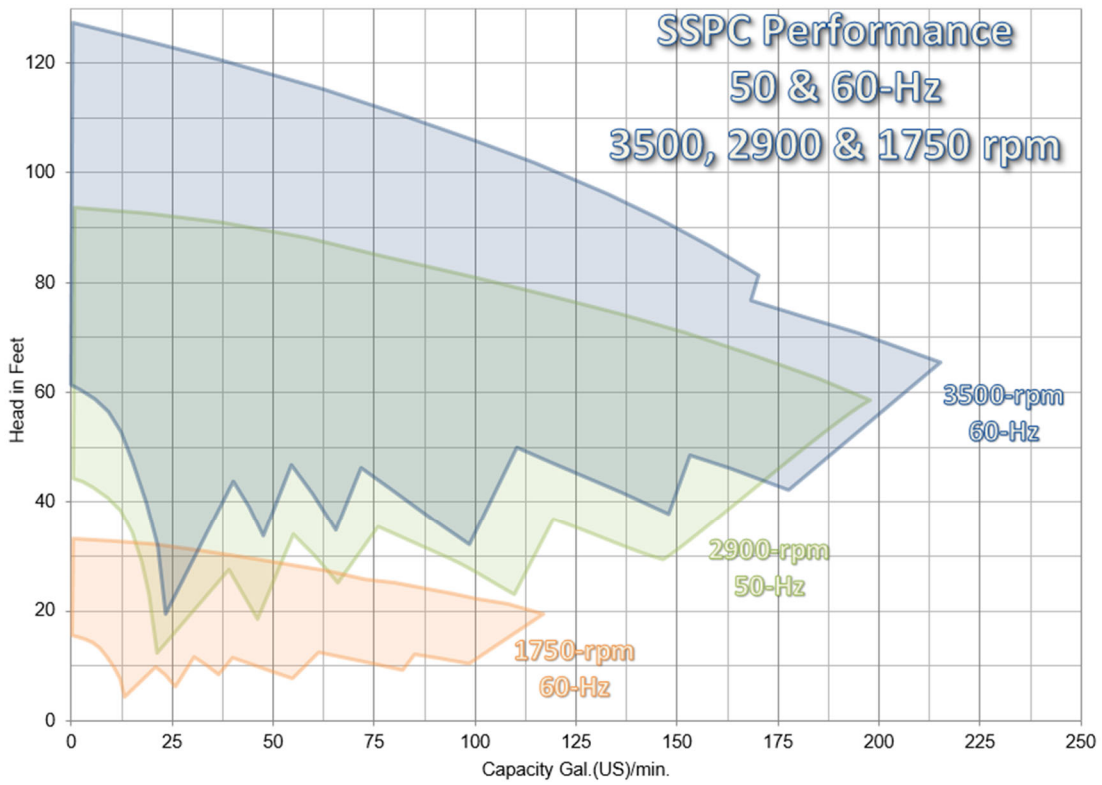
- Sanitary suction and discharge fittings.
- Mounting bases
- Custom Features! Contact factory for support.



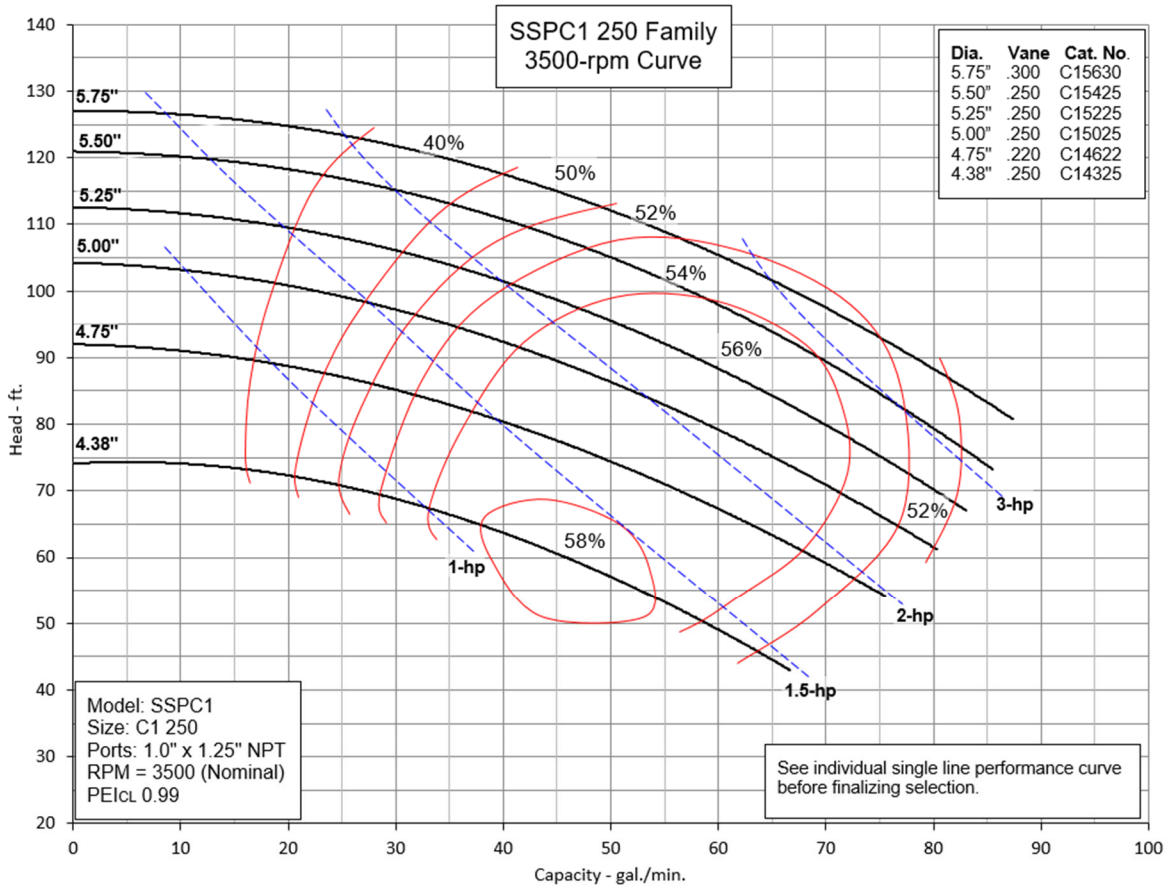
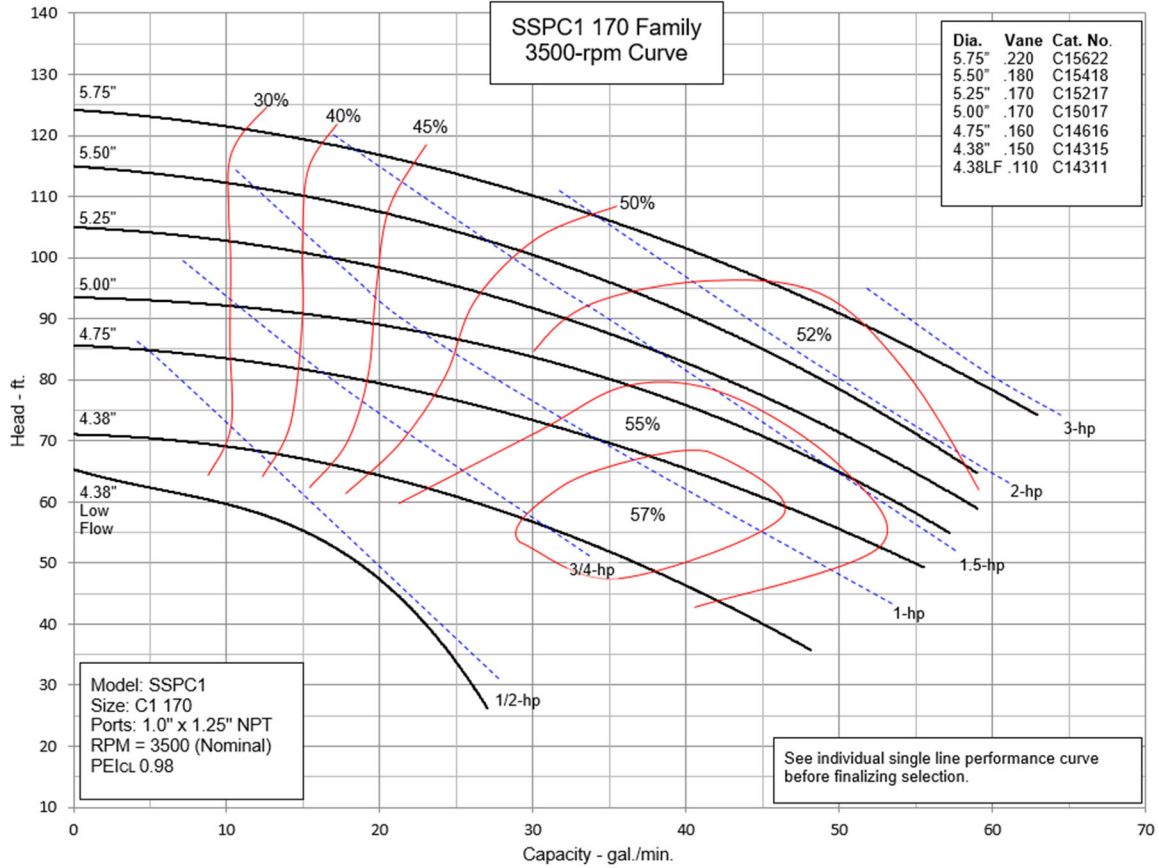


Part	Qty	Material	Options
Casing	1	304 SS	Two sizes avail.
Impeller	1	304 SS	11 sizes avail.
Mechanical Seal	1	Varies	See Seal Options
Seal Plate	1	304 SS	
Case O-Ring	1	Buna Std.	Viton & EPR
Impeller O-Ring	1	Buna Std.	Viton & EPR
Motor Adaptor	1	304 SS	
Case Screws	8	18-8	
Motor Bolts	4	18-8	
Impeller Screw & Washer	1 ea.	18-8	For 3-phase & Exp.P Motors
S.S. Base Plate	1 (Opt.)	304 SS	
Motor Riser Pad	1	PVC	Std. W/ Footed Motors
Motor	1	S.S. Shaft	See Motor Options

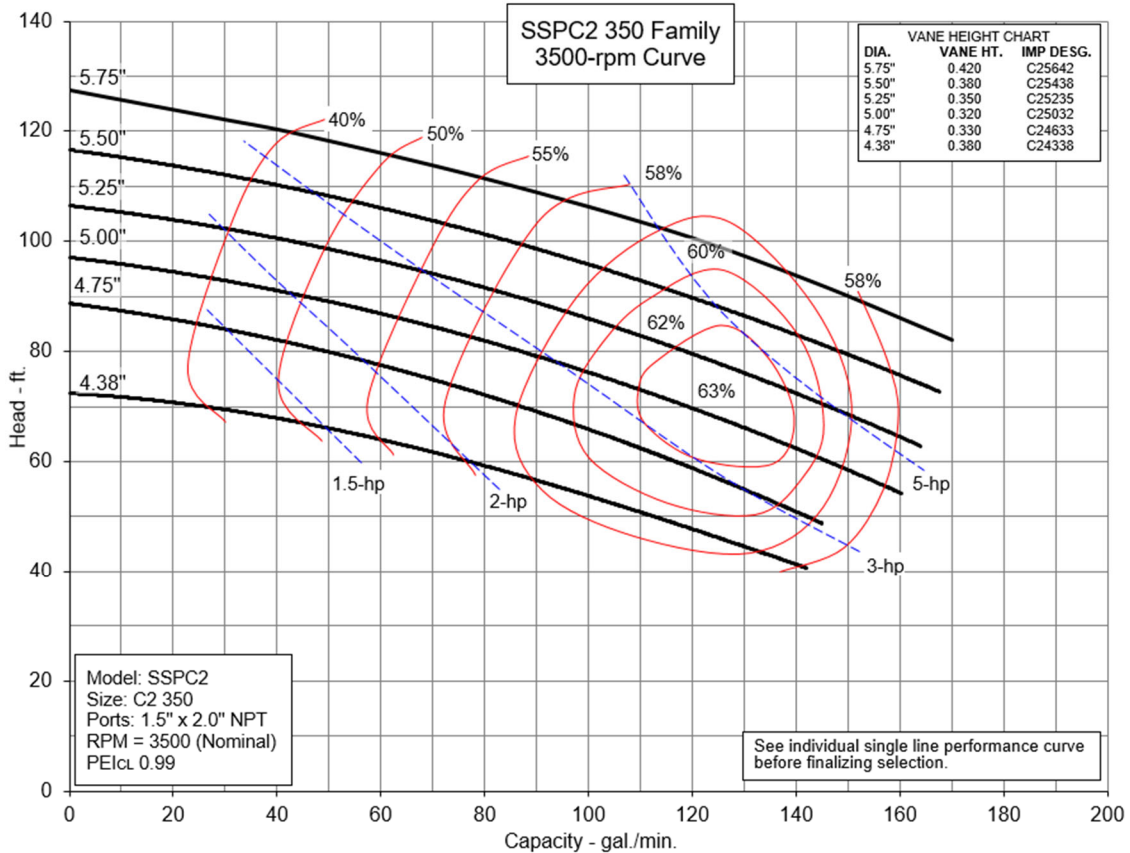
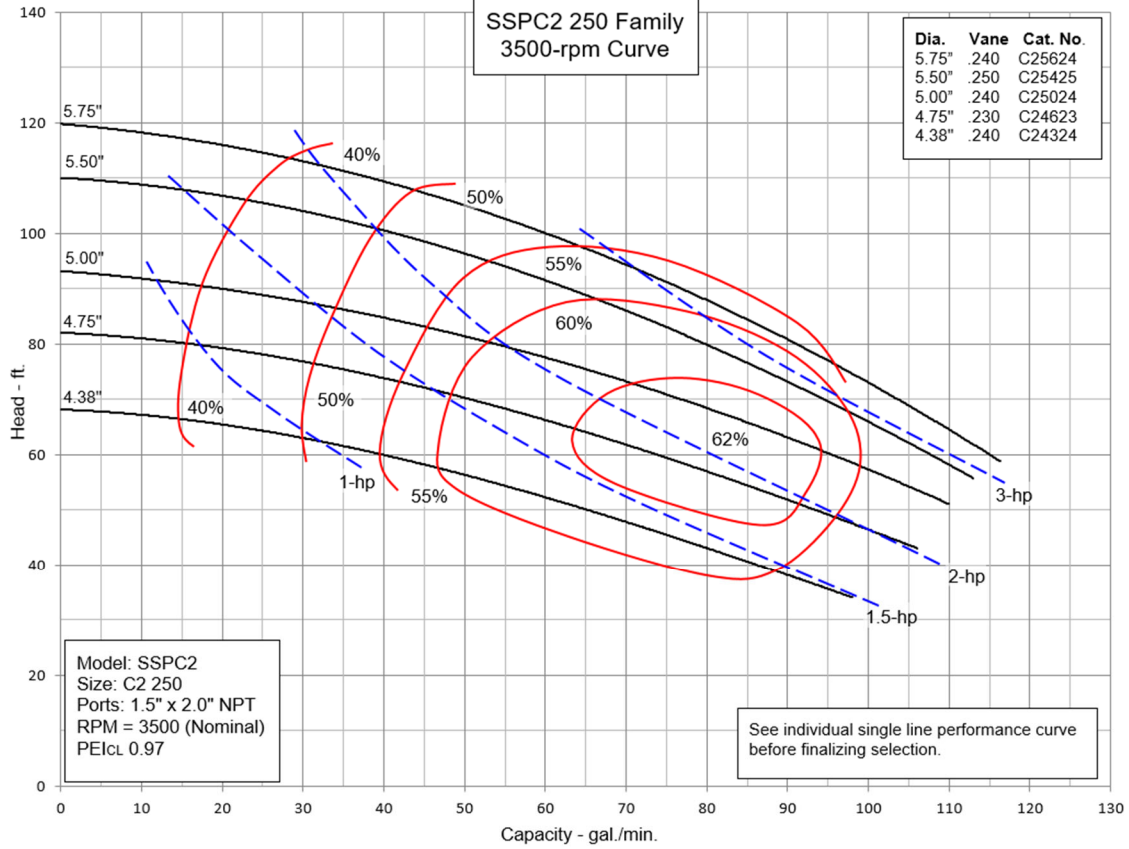
Optional
Stainless Steel Base
for motors without
a mounting foot.



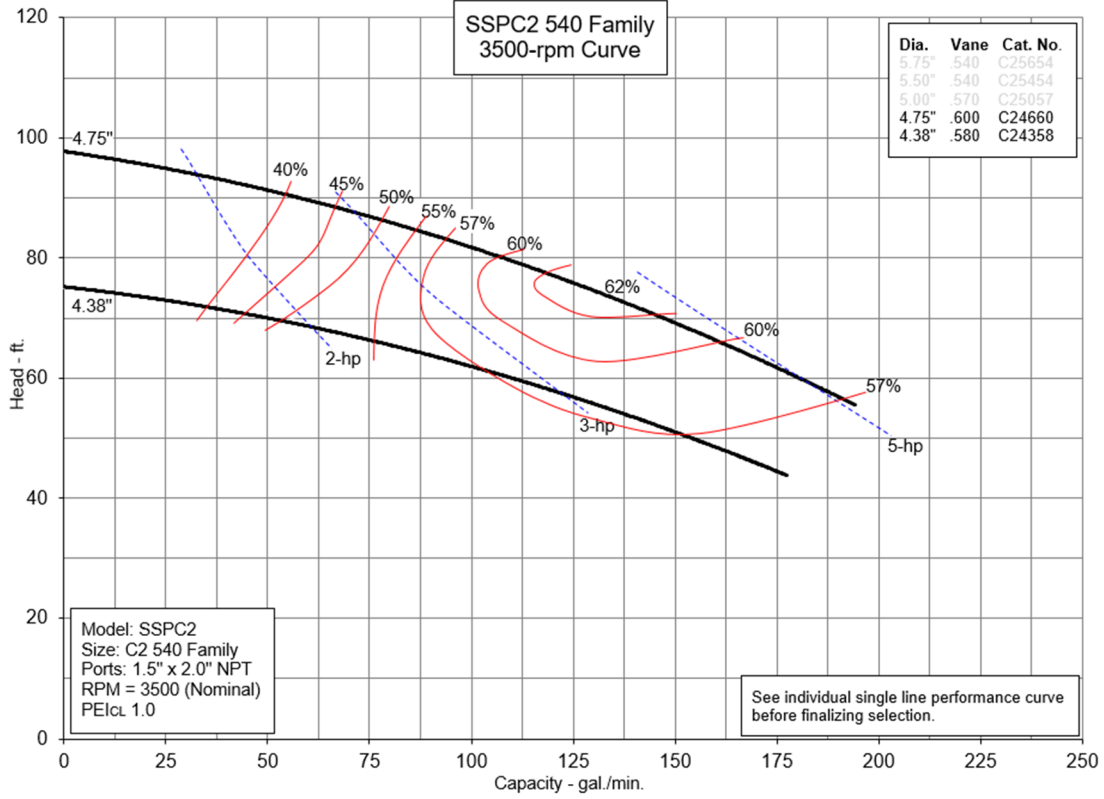
3500-rpm / 60-Hz / 2-Pole Curves



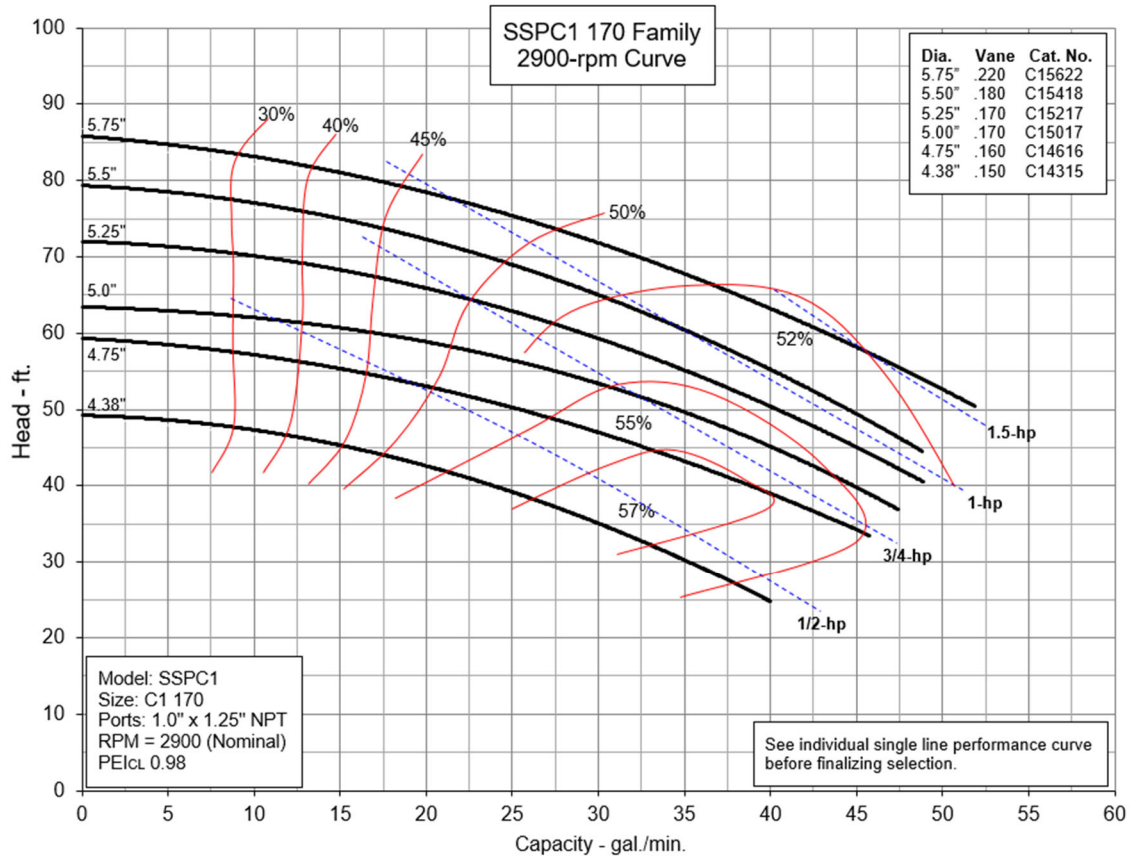
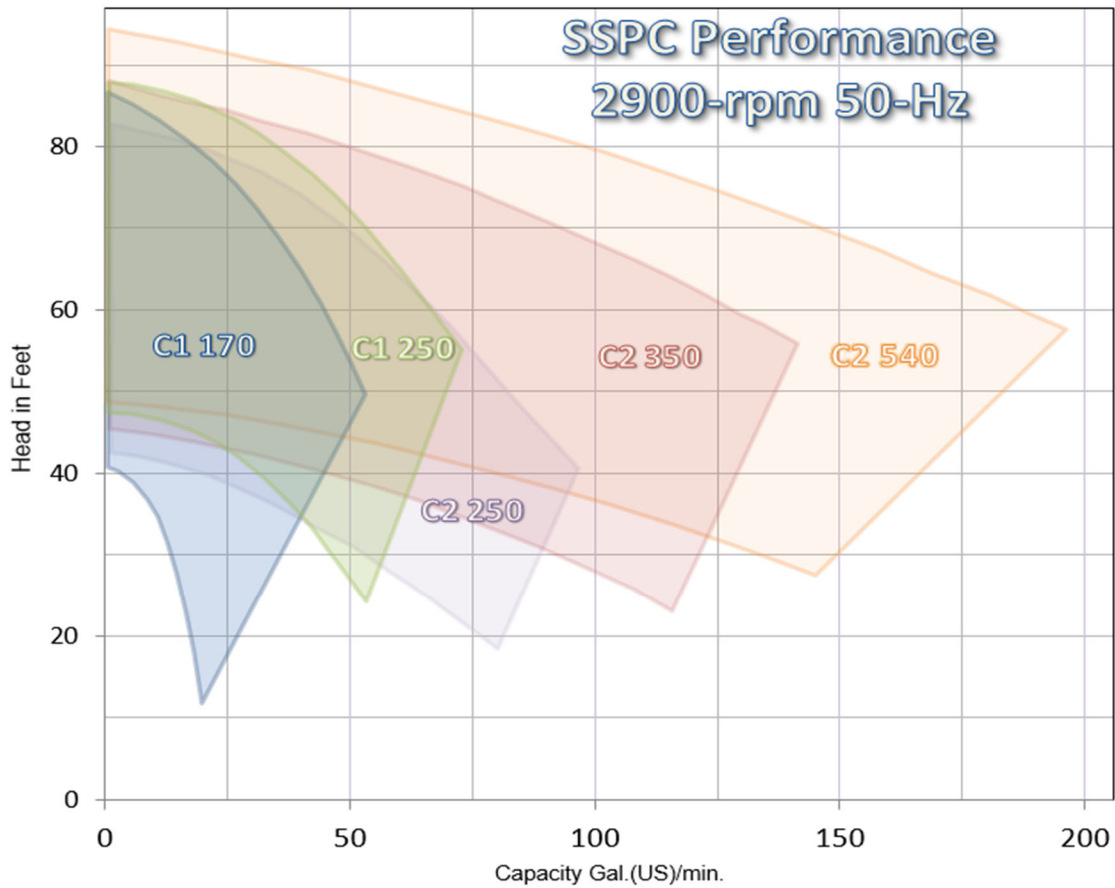
3500-rpm / 60-Hz / 2-Pole Curves



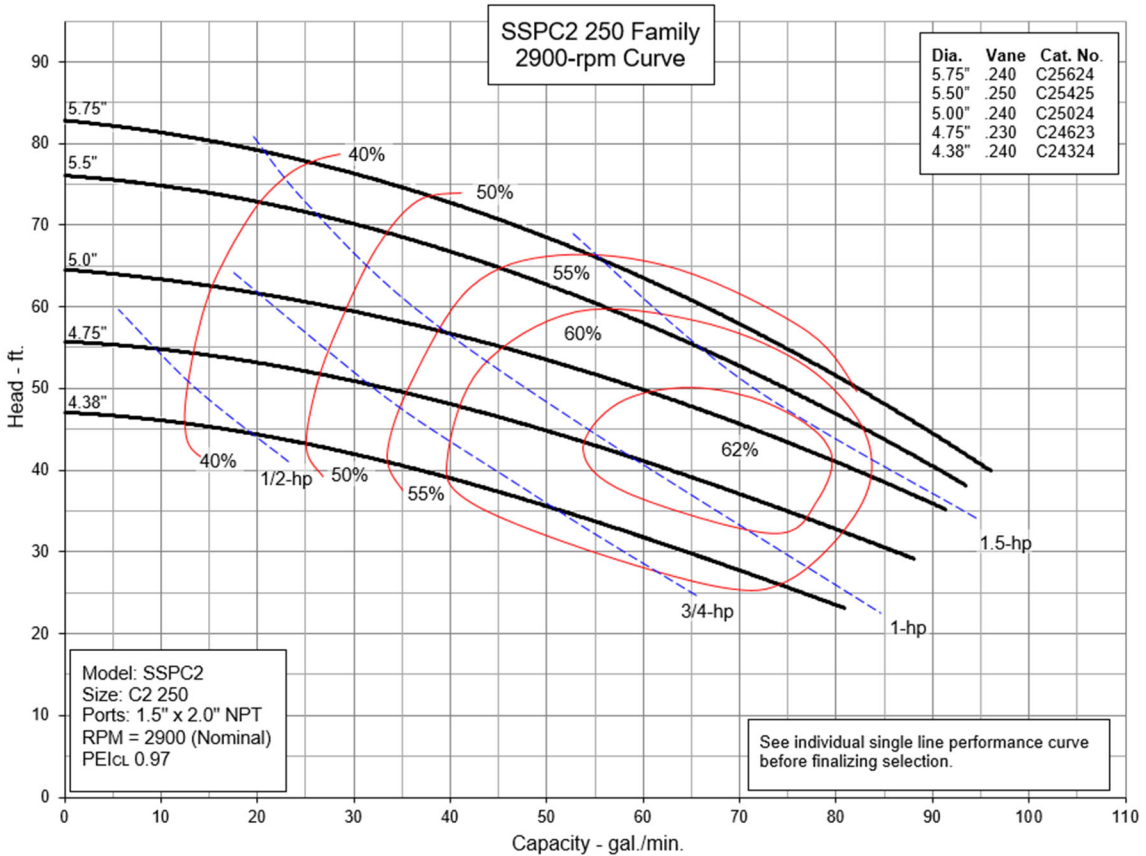
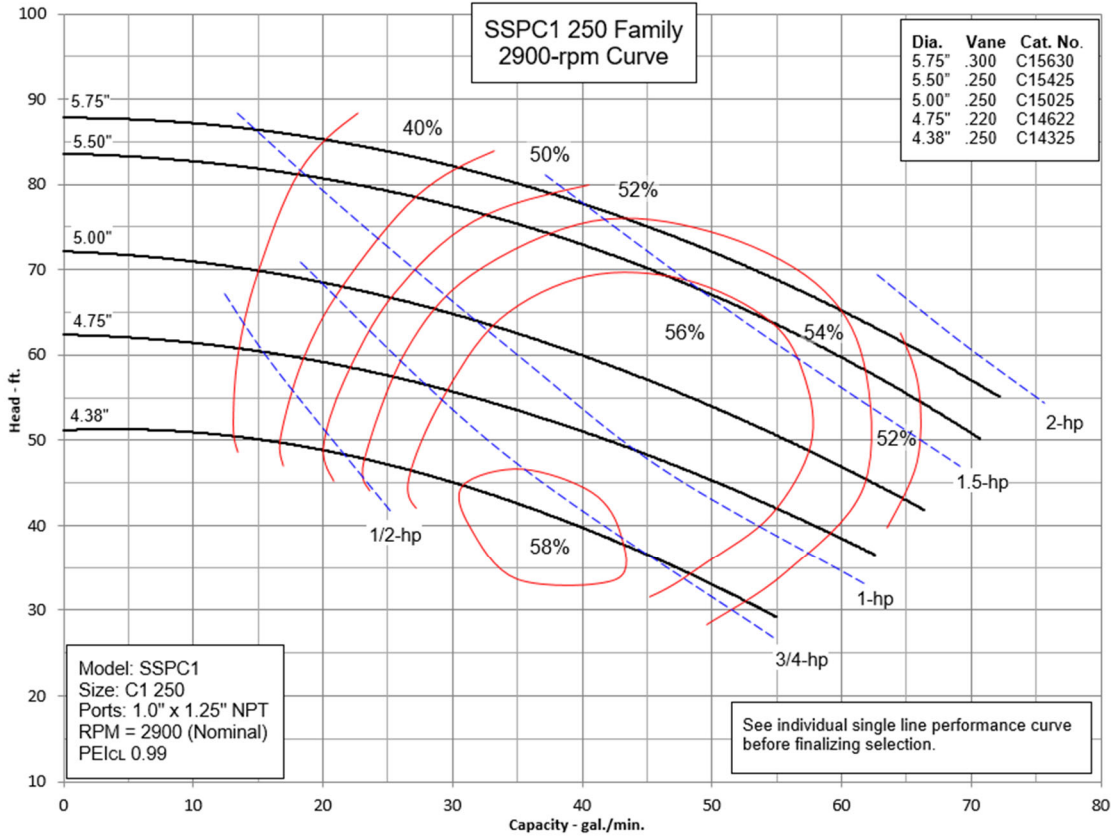
3500-rpm / 60-Hz / 2-Pole Curves



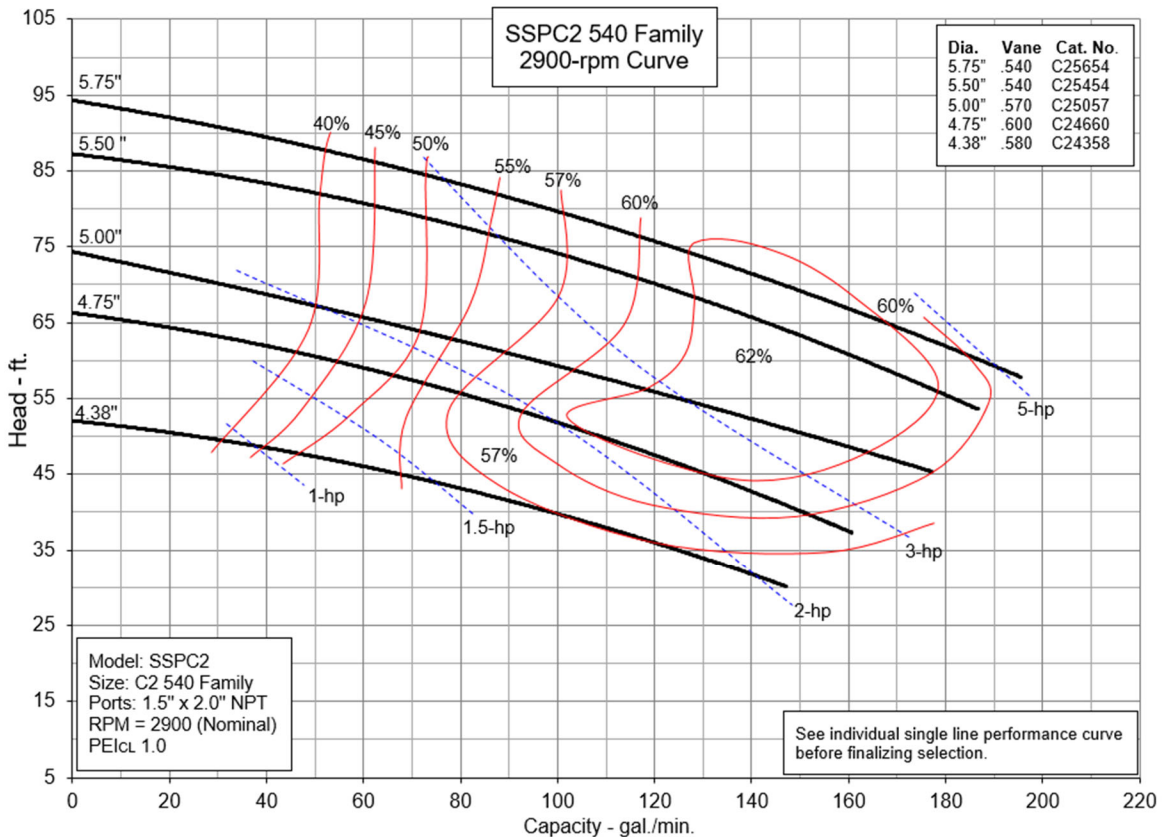
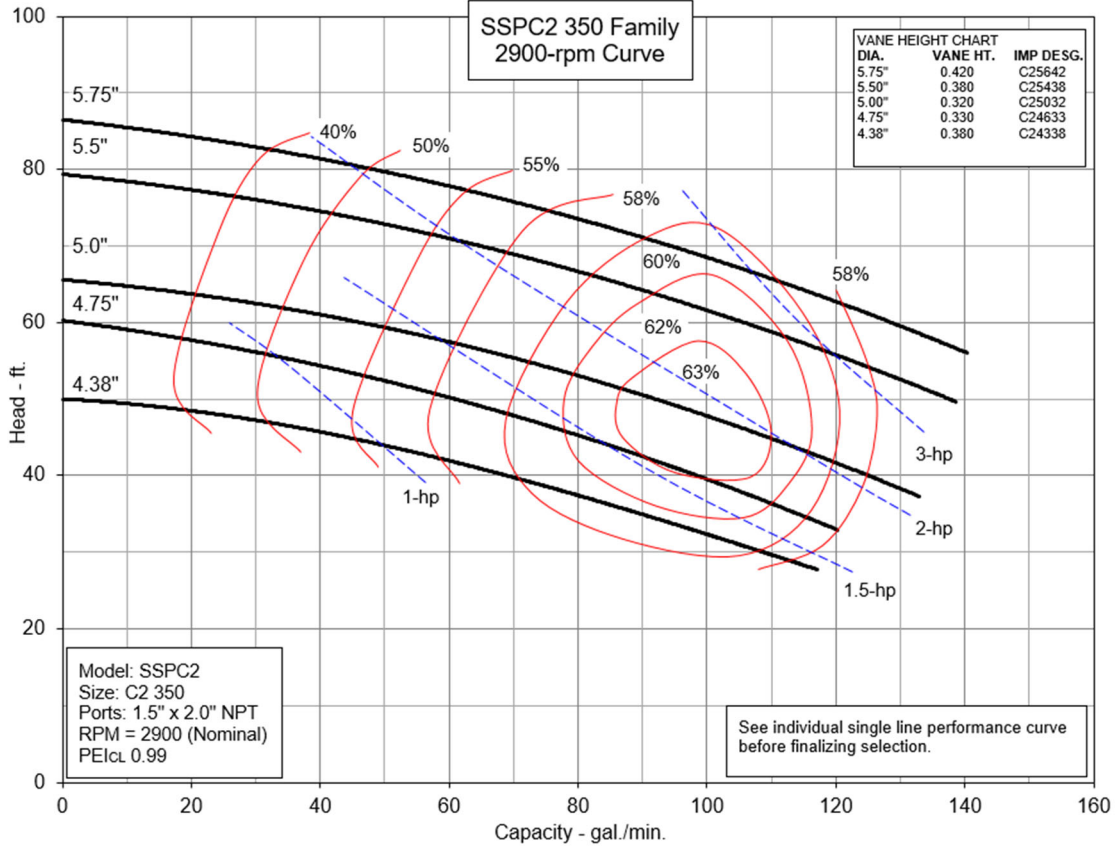
This space intentionally blank.

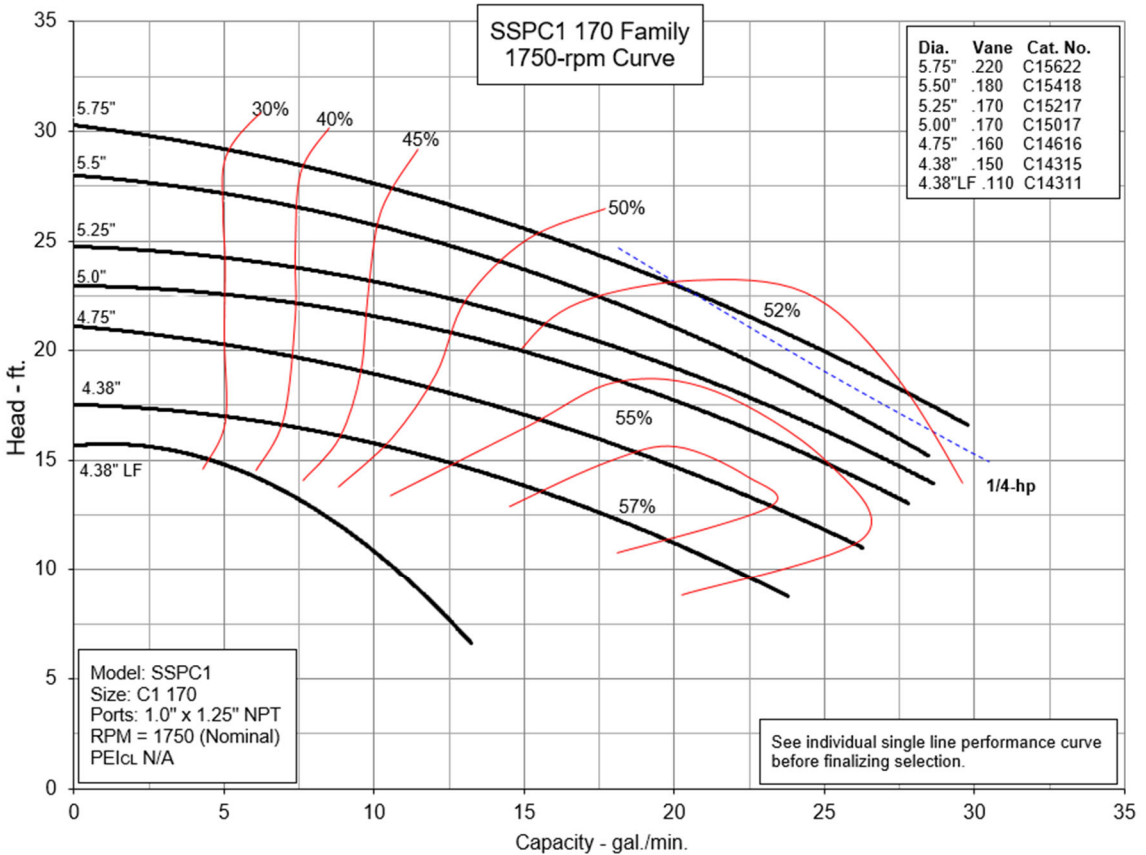
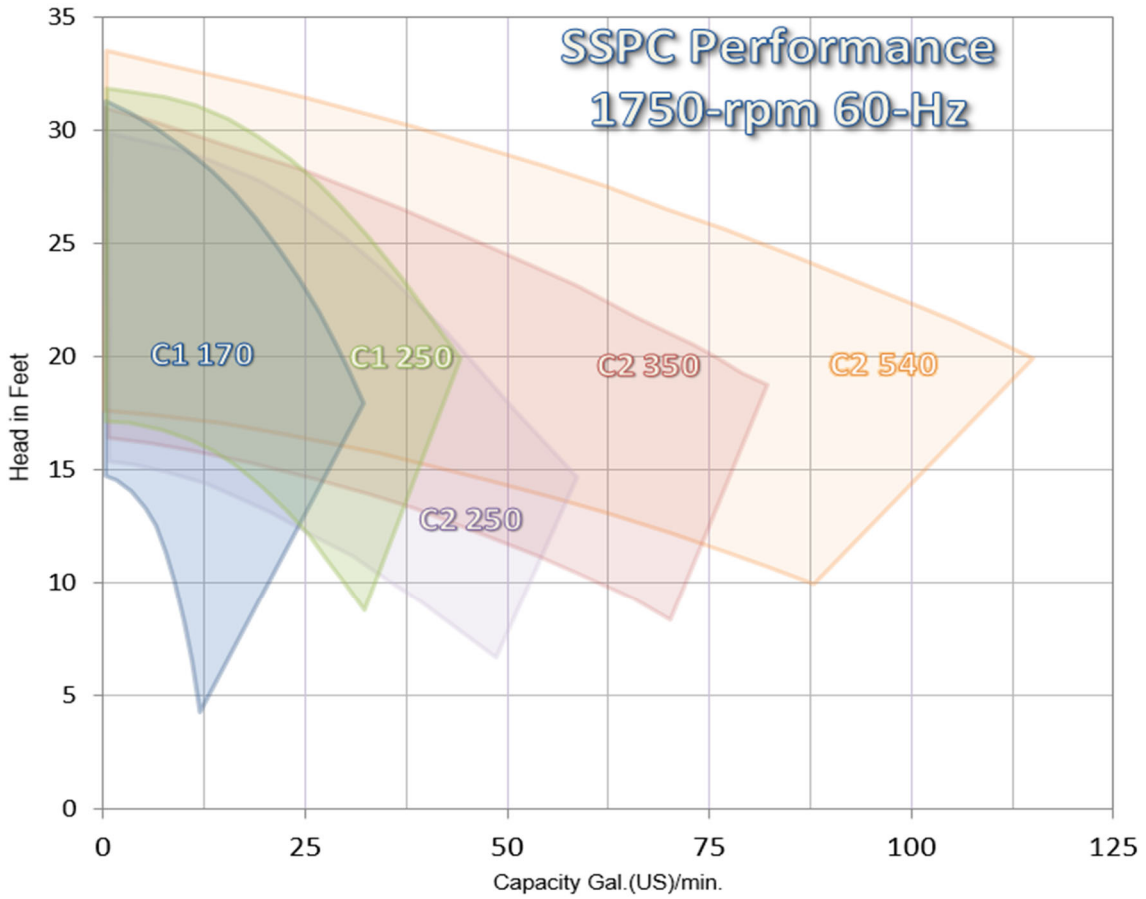


2900-rpm / 50-Hz / 2-Pole Curves

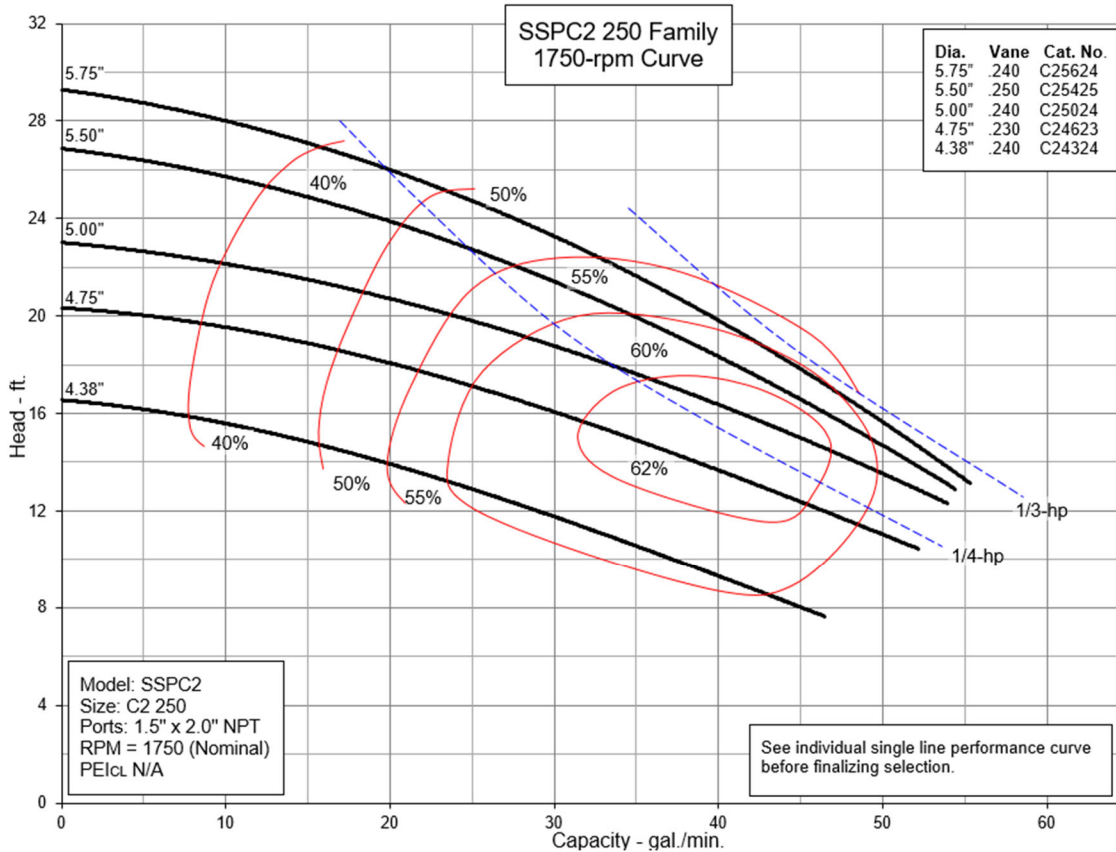
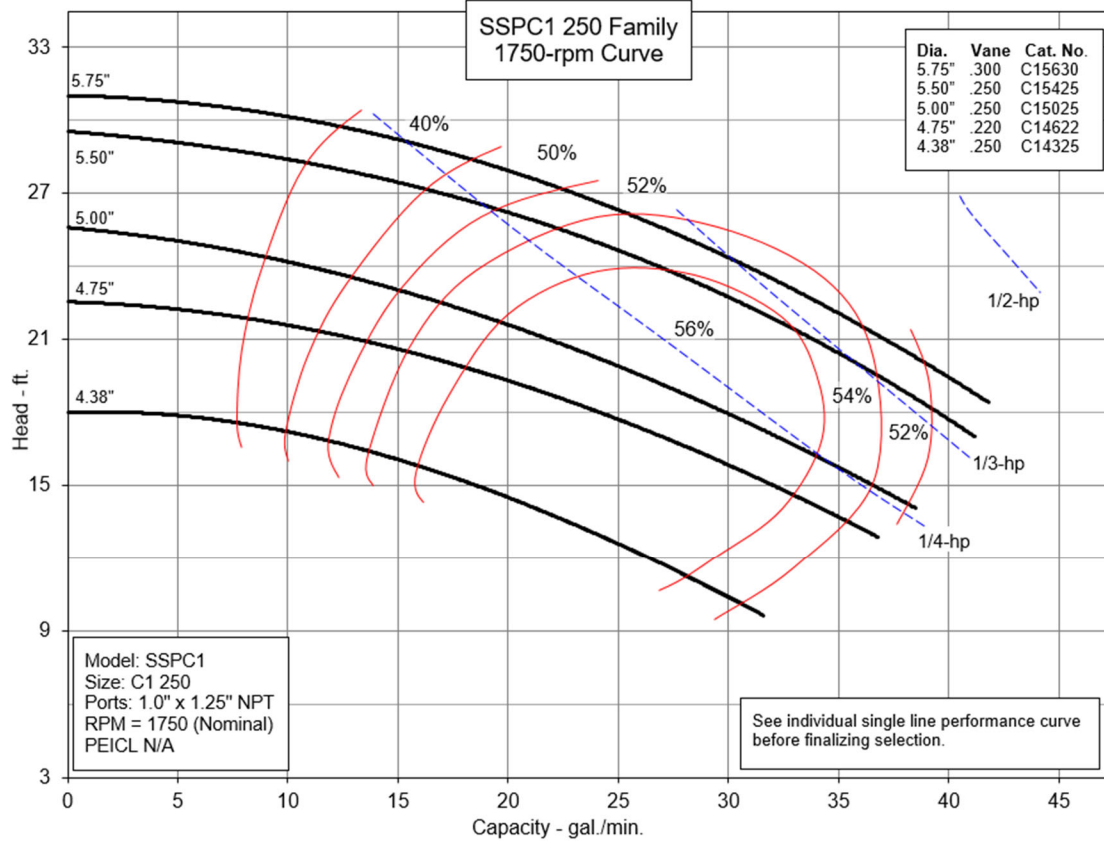


2900-rpm / 50-Hz / 2-Pole Curves

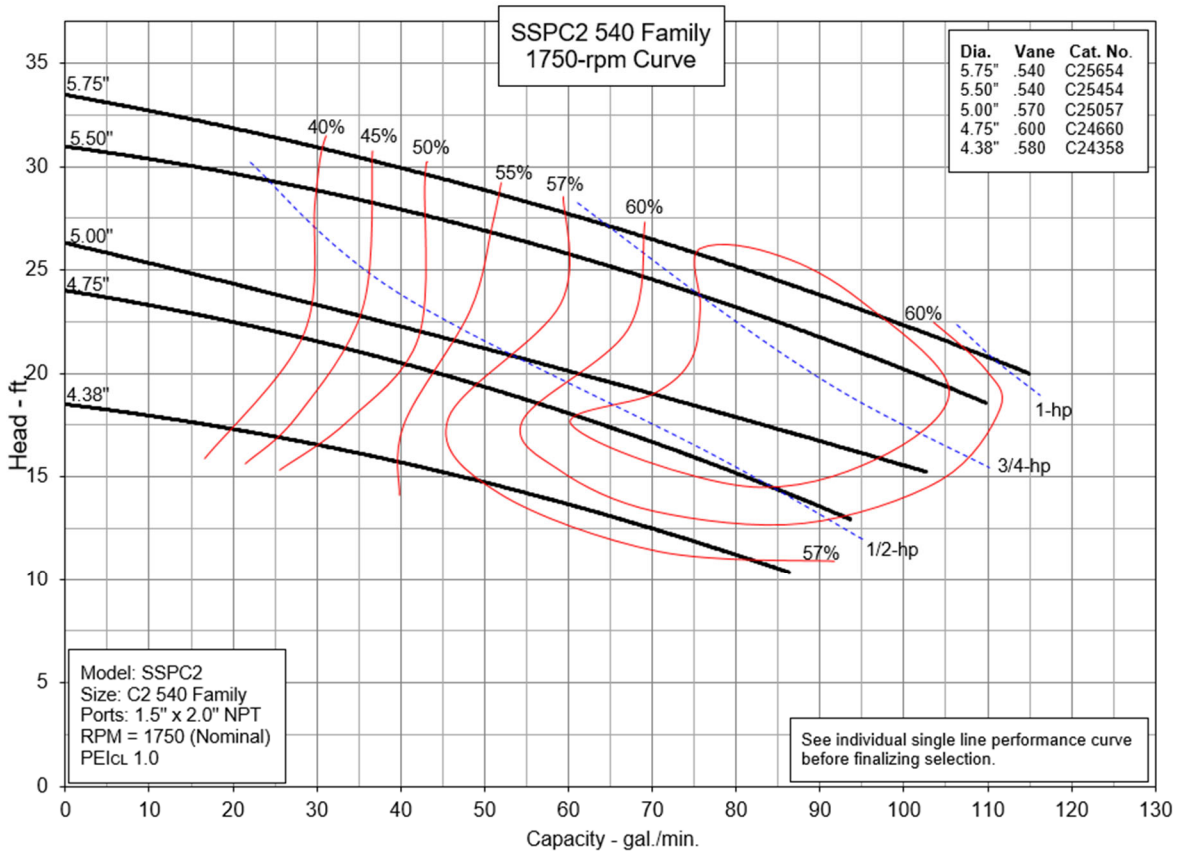
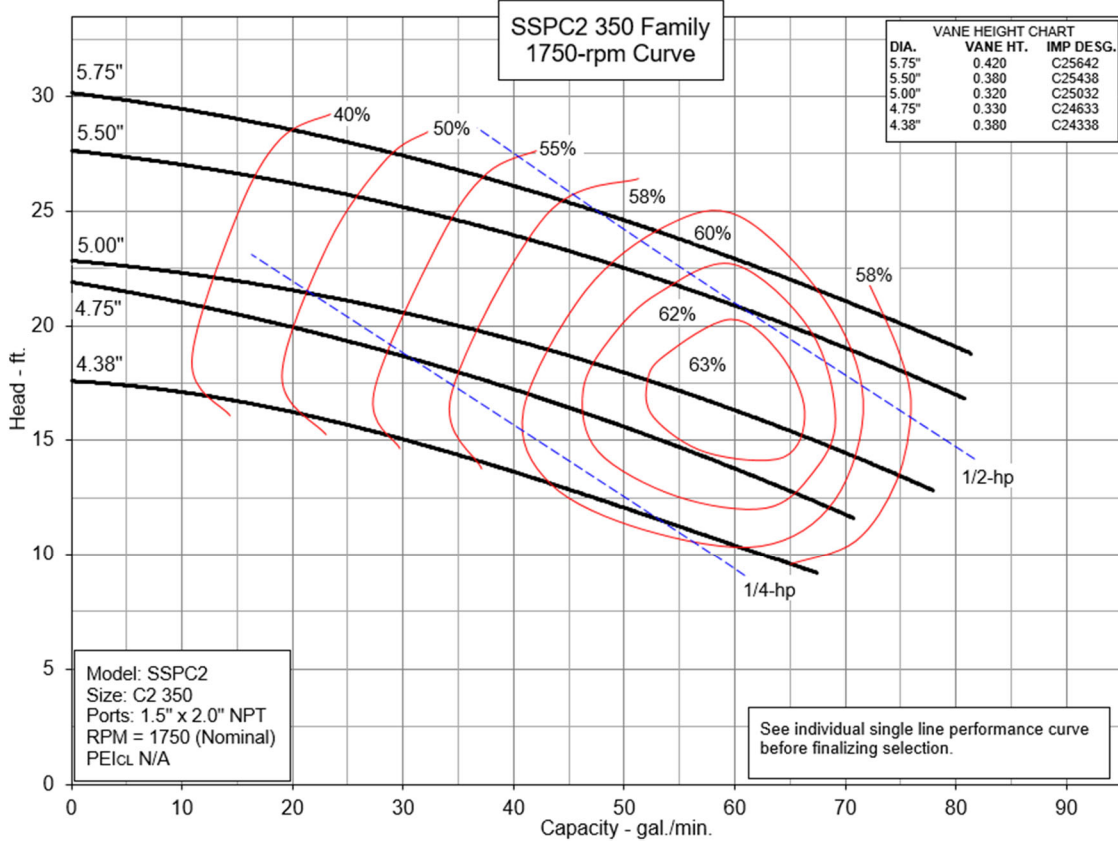




1750-rpm / 60-Hz / 4-Pole Curves

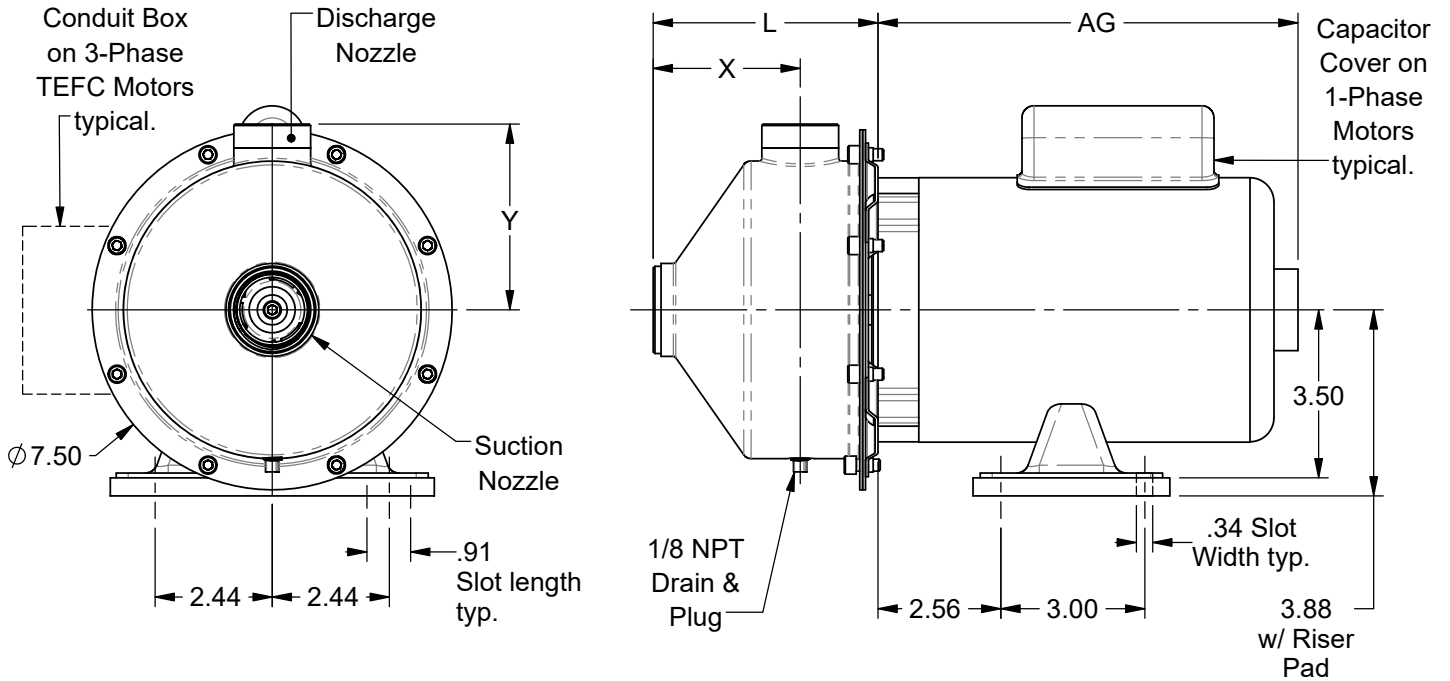


1750-rpm / 60-Hz / 4-Pole Curves





SSP & SSPC Pumps with ODP & TEFC Footed Motors



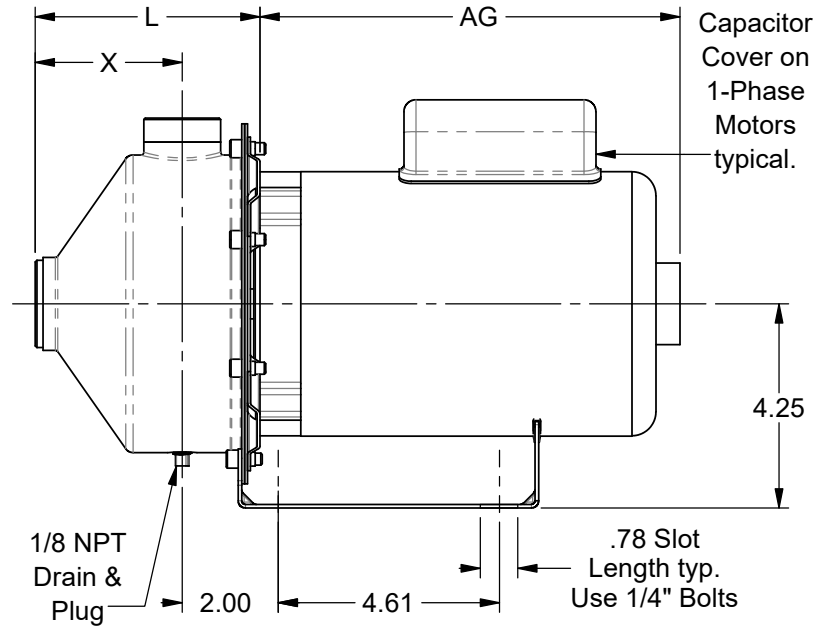
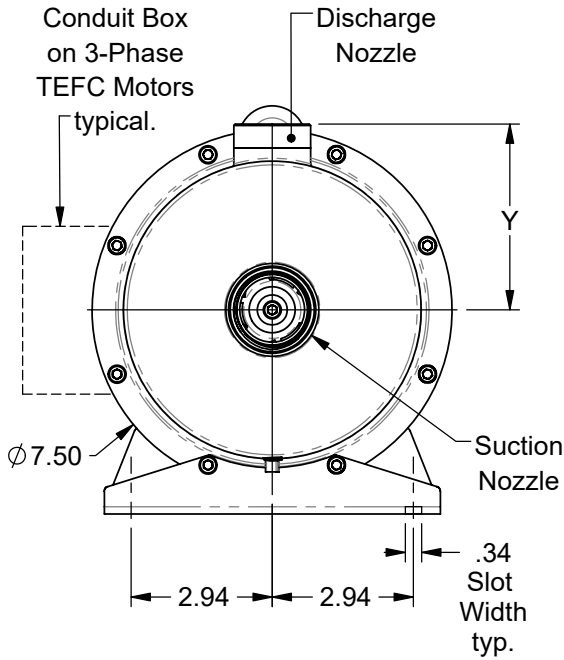
Size	Suction	Discharge	L	X	Y	Motor HP	AG ODP 1Ø	AG ODP 3Ø	Ship Wgt. ODP 1Ø//3Ø	AG TEFC 1Ø	AG TEFC 3Ø	Ship Wgt. TEFC 1Ø//3Ø
1SSP/C	1.25 NPT	1.0 NPT	4.7	3.1	3.9	1/2	9.1	8.3	32 // 28	9.3	12.1	31 // 28
						3/4	9.6	9.6	35 // 29	9.8	12.0	38 // 29
						1.0	9.8	8.7	37 // 30	10.0	11.6	40 // 30
						1.5	10.3	9.1	42 // 32	10.5	13.6	46 // 43
						2.0	10.3	9.5	43 // 36	10.8	14.4	48 // 49
						3.0	10.8	10.3	46 // 42	11.3	15.6	55 // 57
2SSP/C	2.0 NPT	1.5 NPT	4.3	2.7	4.5	1.0	9.8	8.7	37 // 31	10.0	11.6	40 // 31
						1.5	10.3	9.1	42 // 33	10.5	13.6	46 // 44
						2.0	10.3	9.5	46 // 37	10.8	14.4	48 // 50
						3.0	10.8	10.3	46 // 43	11.3	15.6	55 // 58
						5.0	12.1	11.4	64 // 57	NA	13.6	NA // 54

All dimensions in inches $\pm 1/16"$. Shipment weight includes packaging.

*Dimensions may vary by motor manufacturer or motor enclosure. Ideally, weights and dimensions listed are the largest for each motor horsepower size likely to be encountered. More detailed "Certified for Construction" drawings are available upon request.



SSP & SSPC Pumps with ODP & TEFC Stainless Steel Pump Base



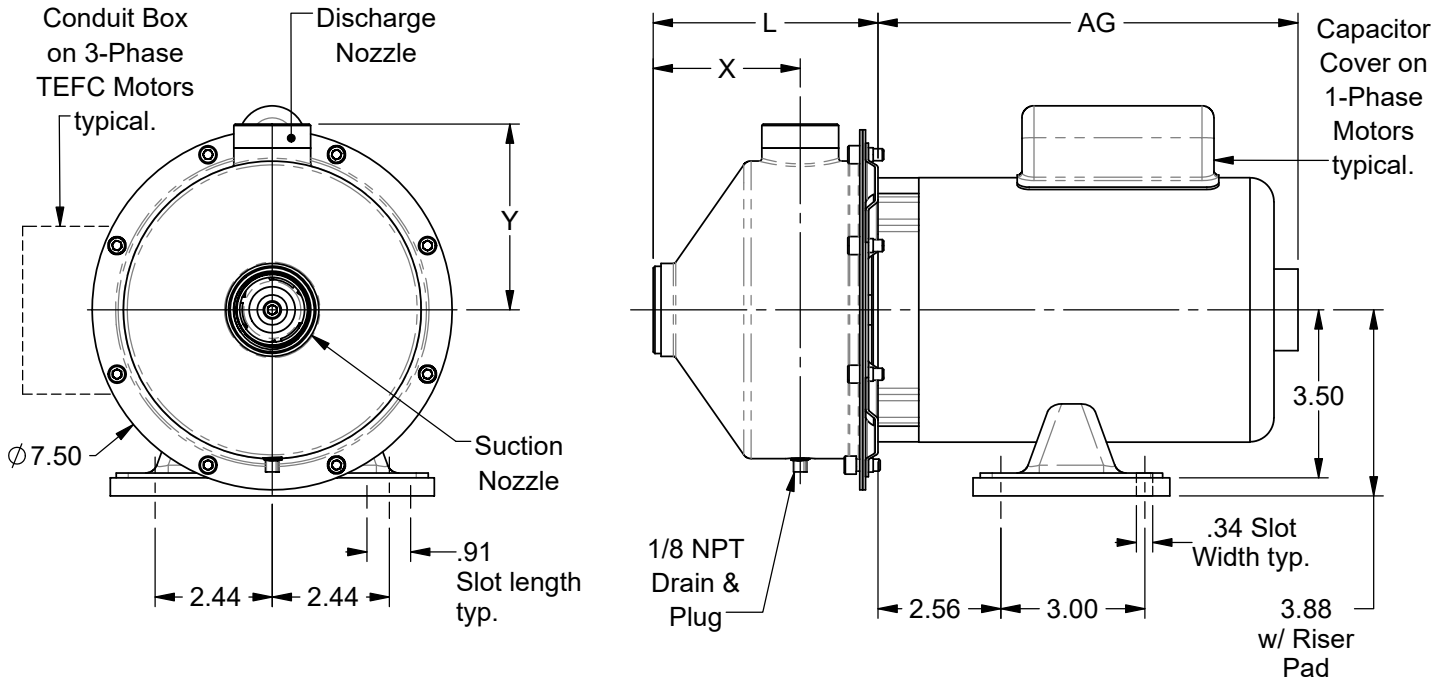
Size	Suction	Discharge	L	X	Y	Motor HP	AG ODP 1Ø	AG ODP 3Ø	Ship Wgt. ODP 1Ø//3Ø	AG TEFC 1Ø	AG TEFC 3Ø	Ship Wgt. TEFC 1Ø//3Ø
1SSP/C	1.25 NPT	1.0 NPT	4.7	3.1	3.9	1/2	9.1	8.3	32 // 28	9.3	12.1	31 // 28
						3/4	9.6	9.6	35 // 29	9.8	12.0	38 // 29
						1.0	9.8	8.7	37 // 30	10.0	11.6	40 // 30
						1.5	10.3	9.1	42 // 32	10.5	13.6	46 // 43
						2.0	10.3	9.5	43 // 36	10.8	14.4	48 // 49
						3.0	10.8	10.3	46 // 42	11.3	15.6	55 // 57
2SSP/C	2.0 NPT	1.5 NPT	4.3	2.7	4.5	1.0	9.8	8.7	37 // 31	10.0	11.6	40 // 31
						1.5	10.3	9.1	42 // 33	10.5	13.6	46 // 44
						2.0	10.3	9.5	46 // 37	10.8	14.4	48 // 50
						3.0	10.8	10.3	46 // 43	11.3	15.6	55 // 58
						5.0	NA	11.4	NA // 57	NA	NA	NA

All dimensions in inches ± 1/16". Shipment weight includes packaging.

*Dimensions may vary by motor manufacturer or motor enclosure. Ideally, weights and dimensions listed are the largest for each motor horsepower size likely to be encountered. More detailed "Certified for Construction" drawings are available upon request.



SSP & SSPC Pumps with 575 Volt ODP & TEFC Footed Motors



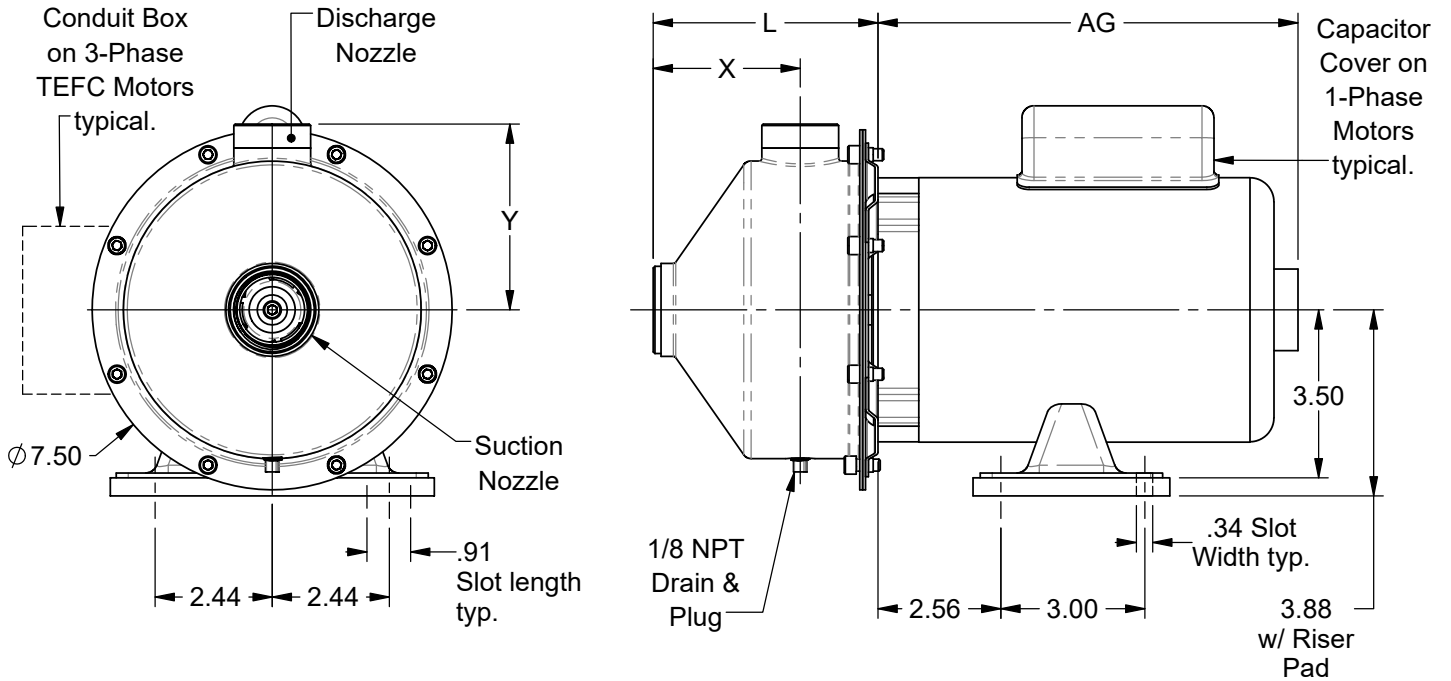
Size	Suction	Discharge	L	X	Y	Motor HP	AG ODP 3Ø	Wgt. ODP 3Ø	AG TEFC 3Ø	Wgt. TEFC 3Ø
1SSP/C	1.25 NPT	1.0 NPT	4.7	3.1	3.9	3/4	8.7	26	NA	NA
						1.0	8.7	27	9.0	32
						1.5	9.1	30	11.1	48
						2.0	9.5	39	11.8	53
						3.0	10.3	45	13.1	55
2SSP/C	2.0 NPT	1.5 NPT	4.3	2.7	4.5	1.0	8.7	28	9.0	32
						1.5	9.1	31	11.1	48
						2.0	9.5	40	11.8	53
						3.0	10.3	46	13.1	55
						5.0	11.4	91	contact ASP	

All dimensions in inches $\pm 1/16"$. Shipment weight includes packaging.

*Dimensions may vary by motor manufacturer or motor enclosure. Ideally, weights and dimensions listed are the largest for each motor horsepower size likely to be encountered. More detailed "Certified for Construction" drawings are available upon request.



SSP & SSPC Pumps with Wash Down Duty Footed Motors



Size	Suction	Discharge	L	X	Y	Motor HP	AG WASH 3Ø	Ship Wgt. WASH 3Ø
1SSP/C	1.25 NPT	1.0 NPT	4.7	3.1	3.9	3/4	8.8	32
						1.0	8.8	44
						1.5	10.3	52
						2.0	11.3	58
2SSP/C	2.0 NPT	1.5 NPT	4.3	2.7	4.5	1.0	8.8	44
						1.5	10.3	52
						2.0	11.3	58
						3.0	11.8	63

All dimensions in inches $\pm 1/16"$. Shipment weight includes packaging.

*Dimensions may vary by motor manufacturer or motor enclosure. Ideally, weights and dimensions listed are the largest for each motor horsepower size likely to be encountered. More detailed "Certified for Construction" drawings are available upon request.