



Improved energy efficiency, quieter operation

# SEARLE RF-NF FLATBED AIR COOLED CONDENSER



## YOUR BENEFITS

- ▶ **Using the latest innovative design:** the range can incorporate 9.5, 12, or 5mm tube diameters. Each optimized for specific operating conditions, the Kelvion selection software will balance application requirements to offer best possible product.
- ▶ **To align with the renewed interest in NH3,** Kelvion has introduced a new range of ammonia condensers specifically for use with NH3 as the working fluid.
- ▶ **The NF range of condensers:** are available with all RF options such as EC fan technology, adiabatic spray systems and the popular Kelvion controls packages
- ▶ **This special form:** which can be manufactured up to 12m long, gives tremendous strength and powder coated in RAL7032 (pebble grey).
- ▶ **A comprehensive collection of fan sets** are available from various premium manufacturers. This ensures that the best fan is always selected and balanced against the model and application variant. High energy efficiency, low noise and flexible control options all ensure the best possible solution is offered.
- ▶ **Eurovent certify-all:** independent certification for thermal performance, power consumption, sound data and unit air volumes for standard products under scheme limits.
- ▶ **CE Marked and PED compliant:** Kelvion products can be supplied from SEP up to category IV




## CAPACITY RANGE

**HFO/HFC 24 kW - 1409 kW**  
 $t_{L1}=25^{\circ}\text{C} \mid t_{G}=40^{\circ}\text{C} \mid \text{DT}=15\text{K} \text{ [SC1]}$

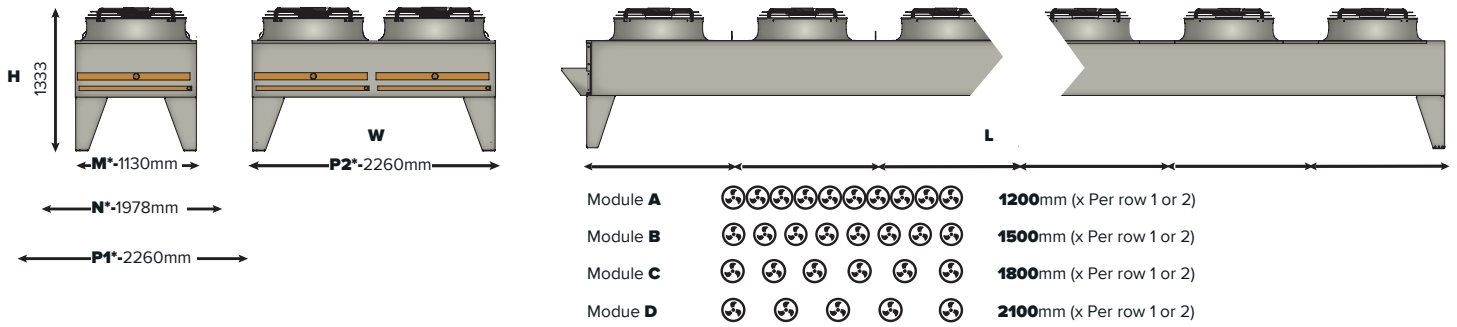
---

**NH<sub>3</sub> 11 kW - 1330 kW**  
 $t_{L1}=25^{\circ}\text{C} \mid t_{G}=40^{\circ}\text{C} \mid \text{DT}=15\text{K} \text{ [SC1]}$

---

# DIMENSIONS



# FANS

▶ AC Normal	Ø 800 mm	▶ Min IP 54
▶ AC High power	Ø 900 mm	▶ 6, 8, 12 Pole and EC
▶ EC Standard	Ø 910 mm	▶ Single and 3 phase
▶ EC High power		▶ 50/60 Hz
▶ EC Low power		▶ 1 - 20 fans

# HEAT EXCHANGE

▶ Fin Type: L, T, F
▶ Standard Fin spacing: [in mm] L = 2.1   T = 2.3   F = 2.1
▶ Fin material: Cu, Al, Av, AlMg, Bg
▶ Tube Diameter: [in mm] L = 9.5   T = 12   F = 5
▶ Tube material: Cu, St (NF St only)

# CONTROLS OPTIONS

OPTION	DESCRIPTION
Unwired	Installer wires directly to fan terminal boxes.
Junction Box	Single or twin according to unit model.
Staged Control	Motor switchgear with or without controller.
Speed Control	EC, inverter or triac

# VARIANTS & ACCESSORIES

▶ Legs Extended
▶ Control Box & Isolators
▶ Sub cooling/Multi sections
▶ Packing & Stacking
▶ Alternative Fin Material
▶ Special Paint
▶ Adiabatic System
▶ Mounted Receivers, frames & Customised Housing
▶ Hinged fan plate
▶ Model Options - RF-SJ, RV, OF

# OPERATING ENVIRONMENT GUIDANCE

# NOTE

APPLICATION ATMOSPHERE	TUBE MATERIAL	FIN MATERIAL	TUBE PLATE
Commercial Application	Cu, or St/St	Al, AV, AlMg, Cu, Bg	Al/Cu
Industrial Application	Cu or St/St (NH3 must be St/St)	Al, AV, AlMg, Cu, Bg	Al/Cu
Within 20 miles of the Sea	Cu	Cu, Bg, AlMg	Al/Cu
Waste Disposal	Cu	Al, AV, AlMg, Cu, Bg	Al/Cu

Selection and Pricing can be performed on the Searle Selection software which can be downloaded from our website [www.kelvion.com](http://www.kelvion.com)