

SC Volume Blowers



SAI GLOBAL
ISO 9001
Quality

Arrangements

Arrangement 4
Flange Mounted
SC-600 shown



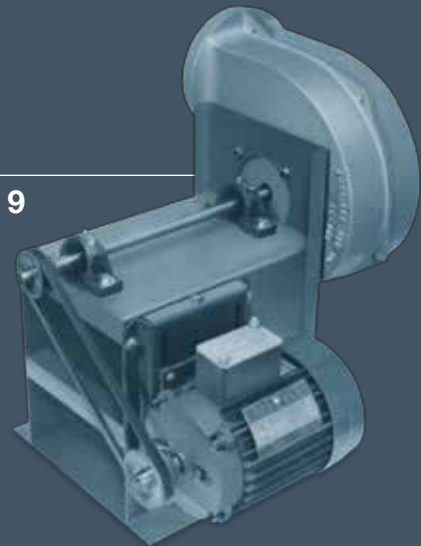
Arrangement 4
Base Mounted
SC-800 shown



Arrangement 1
Belt Driven
SC-800 shown



Arrangement 9
Belt Driven
SC-800 shown



Features

Model SC features a steel multivane forward curve wheel with a high volume, low noise level characteristic. Model SC is ideal for O.E.M. applications where a quiet, reliable, compact blower is required. Large motor cooling, laundry machinery purging, electronic equipment cooling and lab hood fume exhausting are just a few of the current applications.

Pressure selections are available up to 4" S.P. w.g. and capacity selections up to 1400 CFM.

Model SC can be mounted and supported by an integrally cast outlet flange or mounted on a base depending on the application. Special configurations are also available.

AMCA type "C" sparkproof construction

Integrally cast outlet flange (standard on 381, optional on 475, 600 & 800)

Light weight, compact design necessary for many O.E.M. applications

Low cost and low maintenance

Round slip fit inlet standard (available with flange inlet)

Rugged cast aluminum housing

Steel forward curve wheel

Accessories

Housing drain with plug

Inlet filter

Inlet flange

Inlet full cut-off damper

Inlet guard

Outlet flange

Outlet full cut-off damper

Outlet guard

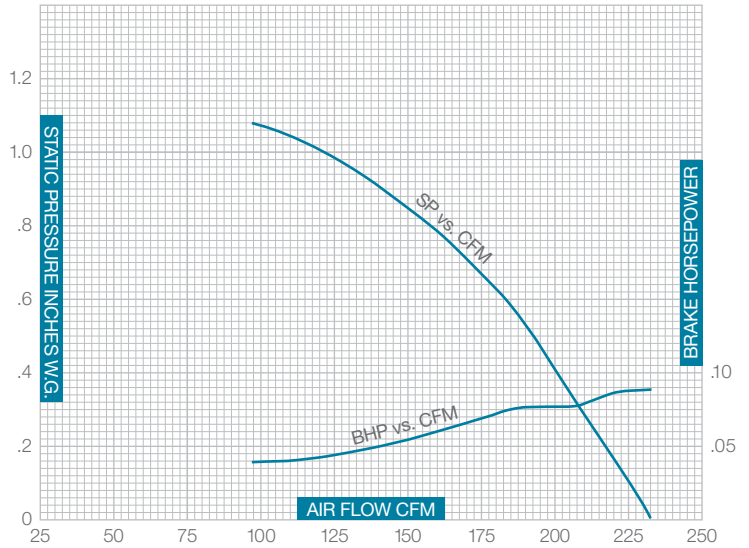
Shaft seal

Performance Data

SC-381

3450 RPM, 70°F
TD-1425

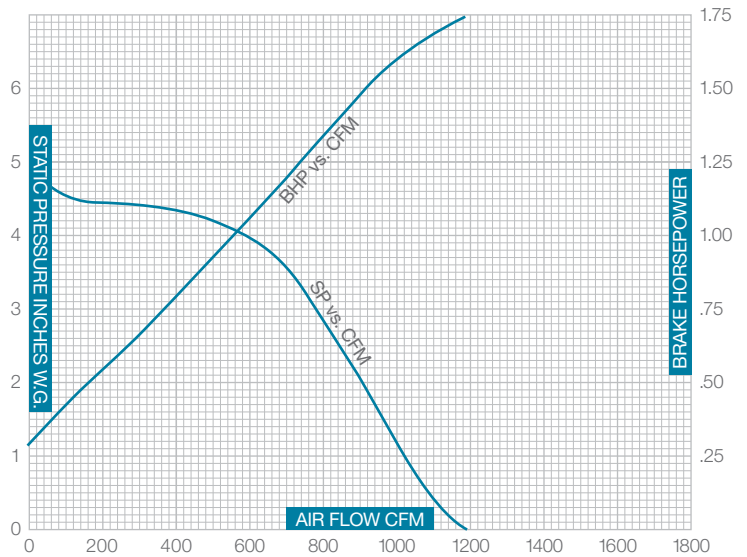
SC-381 only available in CW rotation



CFM	OV	0.25SP RPM BHP	0.50SP RPM BHP	0.75SP RPM BHP	1.00SP RPM BHP	1.25SP RPM BHP	1.50SP RPM BHP	1.75SP RPM BHP	2.00SP RPM BHP	2.25SP RPM BHP
147	3000	2572 0.03	2936 0.04	3295 0.05	3627 0.06	3941 0.07	4227 0.08	4512 0.10	4778 0.11	5028 0.13
166	3400	2821 0.04	3147 0.06	3467 0.06	3779 0.07	4071 0.08	4354 0.10	4616 0.11	4866 0.12	5116 0.14
186	3800	3080 0.06	3374 0.07	3661 0.08	3947 0.09	4225 0.10	4489 0.11	4744 0.13	4967 0.14	5217 0.16
206	4200	3343 0.07	3611 0.09	3875 0.11	4129 0.12	4391 0.13	4643 0.14	4885 0.15	5116 0.16	
225	4600	3610 0.10	3856 0.11	4101 0.13	4340 0.15	4572 0.16	4810 0.16			
245	5000	3880 0.12	4113 0.13	4336 0.16						
265	5400	4148 0.15	4373 0.16							

SC-600

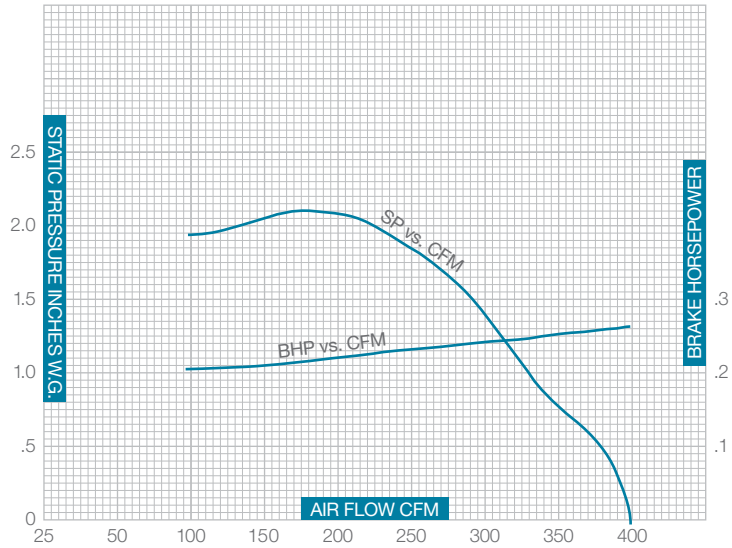
3450 RPM, 70°F
TD-1424



CFM	OV	0.50SP RPM BHP	1.00SP RPM BHP	1.50SP RPM BHP	2.00SP RPM BHP	2.50SP RPM BHP	3.00SP RPM BHP	3.50SP RPM BHP	4.00SP RPM BHP
274	1400	1316 0.07	1715 0.12	2059 0.18	2361 0.25	2630 0.32	2874 0.40	3100 0.48	3311 0.56
353	1800	1478 0.11	1804 0.16	2114 0.23	2399 0.31	2658 0.39	2897 0.47	3120 0.57	3328 0.66
431	2200	1667 0.16	1945 0.23	2209 0.30	2468 0.28	2709 0.47	2937 0.56	3153 0.66	3354 0.76
510	2600	1865 0.24	2115 0.31	2346 0.39	2568 0.48	2790 0.57	3002 0.67	3205 0.77	3398 0.88
589	3000	2068 0.33	2303 0.42	2508 0.51	2708 0.60	2899 0.70	3091 0.80	3284 0.92	
667	3400	2279 0.45	2500 0.56	2689 0.66	2867 0.76	3045 0.86	3213 0.97	3385 1.09	
746	3800	2492 0.60	2699 0.73	2882 0.84	3047 0.95	3205 1.06	3364 1.17		
824	4200	2704 0.78	2903 0.92	3079 1.05	3237 1.17	3384 1.29			
903	4600	2918 0.99	3113 1.15	3278 1.30	3433 1.44				
981	5000	3134 1.23	3326 1.42						

SC-475

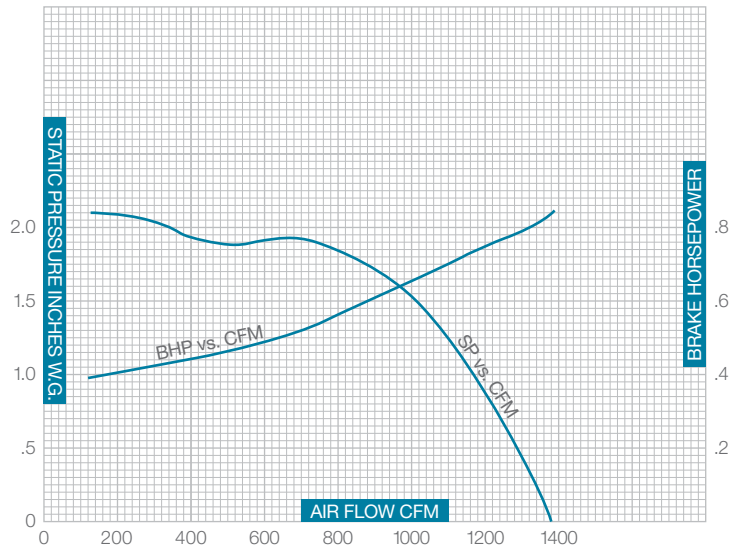
3450 RPM, 70°F
TD-726



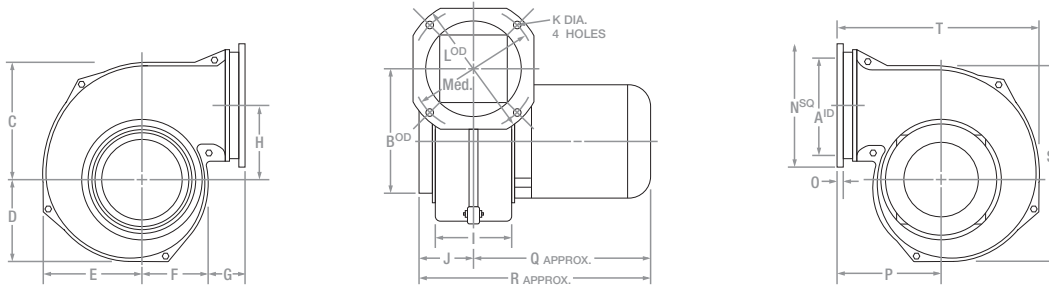
CFM	OV	0.25SP RPM BHP	0.50SP RPM BHP	0.75SP RPM BHP	1.00SP RPM BHP	1.25SP RPM BHP	1.50SP RPM BHP	1.75SP RPM BHP	2.00SP RPM BHP	2.25SP RPM BHP
163	2200	1727 0.03	1978 0.04	2241 0.06	2497 0.08	2729 0.11	2959 0.14			
192	2600	1936 0.04	2171 0.06	2384 0.08	2607 0.10	2816 0.12	3017 0.15	3228 0.18	3425 0.21	3611 0.25
222	3000	2137 0.06	2383 0.08	2564 0.10	2752 0.12	2946 0.14	3133 0.17	3308 0.20	3483 0.23	3668 0.27
252	3400	2349 0.08	2598 0.11	2772 0.13	2930 0.15	3095 0.17	3265 0.20	3436 0.23	3597 0.26	3750 0.29
281	3800	2572 0.11	2801 0.13	2986 0.16	3135 0.18	3276 0.20	3421 0.23	3573 0.26	3728 0.29	3877 0.33
311	4200	2810 0.14	3001 0.17	3200 0.20	3347 0.22	3479 0.25	3606 0.27	3736 0.30	3875 0.33	
341	4600	3050 0.18	3208 0.20	3403 0.24	3564 0.27	3691 0.30	3811 0.33	3925 0.35		
370	5000	3298 0.23	3429 0.25	3603 0.29	3771 0.32	3906 0.36				
400	5400	3550 0.28	3653 0.31	3805 0.34	3974 0.38					
430	5800	3804 0.35	3891 0.37							

SC-800

1750 RPM, 70°F
TD-2889

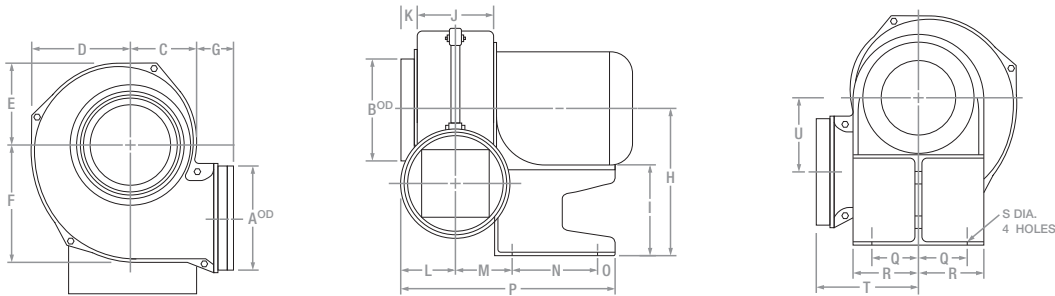


CFM	OV	0.25SP RPM BHP	0.50SP RPM BHP	0.75SP RPM BHP	1.00SP RPM BHP	1.25SP RPM BHP	1.50SP RPM BHP	1.75SP RPM BHP	2.00SP RPM BHP	2.25SP RPM BHP
468	1400	781 0.06	953 0.10	1116 0.14	1278 0.19					
628	1800	922 0.11	1049 0.14	1186 0.19	1316 0.24	1440 0.30	1569 0.36	1689 0.44		
767	2200	1078 0.18	1178 0.21	1284 0.26	1396 0.32	1505 0.38	1611 0.44	1714 0.51	1817 0.58	1921 0.67
907	2600	1238 0.27	1325 0.32	1409 0.36	1500 0.42	1596 0.48	1688 0.55	1780 0.62	1870 0.69	1959 0.77
1047	3000	1402 0.40	1480 0.45	1552 0.50	1627 0.56	1706 0.62	1786 0.69	1869 0.77	1949 0.84	2029 0.93
1186	3400	1569 0.57	1639 0.62	1706 0.68	1768 0.74	1834 0.81	1903 0.88	1973 0.95	2047 1.03	2119 1.12
1326	3800	1738 0.78	1801 0.84	1863 0.91	1921 0.97	1976 1.04	2036 1.11	2095 1.18	2159 1.27	2220 1.35
1466	4200	1908 1.03	1965 1.10	2022 1.17	2077 1.25	2129 1.32	2179 1.39	2232 1.47	2286 1.55	2342 1.64
1605	4600	2078 1.35	2132 1.41	2184 1.49	2235 1.57	2285 1.66	2332 1.74	2378 1.81	2425 1.89	2475 1.98
1745	5000	2249 1.71	2300 1.79	2347 1.87	2396 1.96	2442 2.05	2487 2.13			



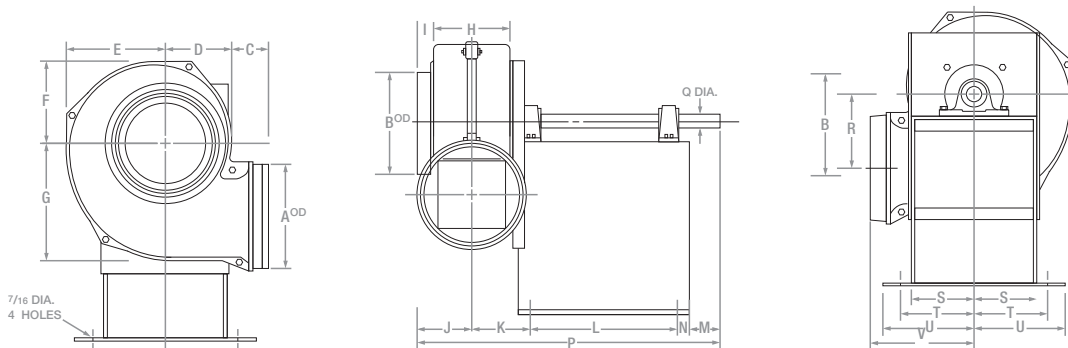
Arrangement 4 Flange Mount

Fan Size	A	B	C	D	E	F	G	H	I	J	K	L	M	N	O	P	Q	R	S	T
381	2 ⁵ / ₈	4	3 ¹⁵ / ₁₆	2 ¹⁵ / ₁₆	3 ⁷ / ₁₆	2 ¹ / ₂	1 ¹ / ₂	2 ¹¹ / ₃₂	3 ³ / ₈	2 ⁹ / ₁₆	3 ³ / ₈	4 ⁷ / ₈	4 ¹ / ₄	-	1 ¹ / ₄	4	8 ¹ / ₈	10 ¹¹ / ₁₆	6 ⁷ / ₈	7 ⁷ / ₁₆
475	3 ⁵ / ₈	5	4 ⁷ / ₈	4	4 ⁹ / ₁₆	3 ³ / ₈	1 ¹ / ₂	2 ¹³ / ₁₆	3 ³ / ₄	3	3 ³ / ₈	6 ¹ / ₂	5 ¹ / ₂	6	5 ¹ / ₁₆	4 ⁷ / ₈	10 ³ / ₄	13 ³ / ₄	8 ⁷ / ₈	9 ⁷ / ₁₆
600	5 ⁵ / ₈	6	6 ⁹ / ₁₆	4 ³ / ₄	5 ⁵ / ₈	3 ⁷ / ₈	2 ¹ / ₈	4 ³ / ₁₆	4 ¹ / ₂	3 ³ / ₈	7 ¹ / ₁₆	8	7 ¹ / ₈	7	3 ³ / ₈	6	11 ¹ / ₈	14 ¹ / ₂	11 ⁵ / ₁₆	11 ⁵ / ₈
800	7 ⁵ / ₈	8	8 ³ / ₈	6 ⁷ / ₃₂	7 ⁹ / ₃₂	5 ³ / ₁₆	11 ³ / ₁₆	5 ⁹ / ₁₆	5 ³ / ₄	4	7 ¹ / ₁₆	10	9 ¹ / ₈	9	3 ³ / ₈	7	11 ³ / ₄	15 ³ / ₄	14 ¹⁹ / ₃₂	14 ⁹ / ₃₂



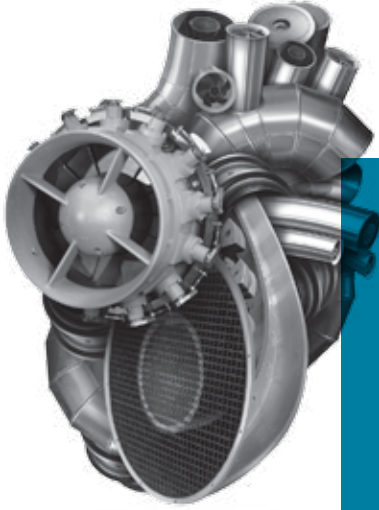
Arrangement 4 Base Mount *MODEL SC-381 IS FURNISHED WITH INTEGRALLY CAST OUTLET FLANGE. SEE ARRANGEMENT 4 FLANGE MOUNT DRAWING FOR DISCHARGE DIMENSIONS.

Fan Size	A	B	C	D	E	F	G	H	I	J	K	L	M	N	O	P	Q	R	S	T	U
381	*	4	2 ¹ / ₂	3 ⁷ / ₁₆	2 ¹⁵ / ₁₆	3 ¹⁵ / ₁₆	1 ¹ / ₂	8 ¹ / ₂	5	3 ³ / ₈	7 ⁸ / ₈	2 ⁹ / ₁₆	2 ¹³ / ₁₆	5	1	11 ³ / ₈	2 ³ / ₄	3 ³ / ₄	7 ¹ / ₁₆	4	2 ¹¹ / ₃₂
475	4	5	3 ³ / ₈	4 ⁹ / ₁₆	4	4 ⁷ / ₈	1 ¹ / ₂	8 ¹ / ₂	5	3 ³ / ₄	1 ¹ / ₈	3	3 ¹ / ₁₆	5	1	12 ¹ / ₁₆	2 ³ / ₄	3 ³ / ₄	7 ¹ / ₁₆	4 ⁷ / ₈	2 ¹³ / ₁₆
600	6	6	3 ⁷ / ₈	5 ⁵ / ₈	4 ³ / ₄	6 ⁹ / ₁₆	2 ¹ / ₈	8 ¹ / ₂	5	4 ¹ / ₂	1 ¹ / ₈	3 ³ / ₈	3 ³ / ₈	5	1	12 ³ / ₄	2 ³ / ₄	3 ³ / ₄	7 ¹ / ₁₆	6	4 ³ / ₁₆
800	8	8	5 ³ / ₁₆	7 ⁹ / ₃₂	6 ⁷ / ₃₂	8 ³ / ₈	11 ³ / ₁₆	10 ¹ / ₂	7	5 ³ / ₄	1 ¹ / ₈	4	4	6	1	15	2 ³ / ₄	3 ¹ / ₂	7 ¹ / ₁₆	7	5 ⁹ / ₁₆



Arrangement 1

Fan Size	A	B	C	D	E	F	G	H	I	J	K	L	M	N	O	P	Q	R	S	T	U	V
475	4	5	1 ¹ / ₂	3 ³ / ₈	4 ⁹ / ₁₆	4	4 ⁷ / ₈	3 ³ / ₄	1 ¹ / ₈	3	3 ⁷ / ₁₆	12	3	1	15	22 ⁷ / ₁₆	3 ¹ / ₄	21 ³ / ₁₆	4	5	6	4 ⁷ / ₈
600	6	6	2 ¹ / ₈	3 ⁷ / ₈	5 ⁵ / ₈	4 ³ / ₄	6 ⁹ / ₁₆	4 ¹ / ₂	1 ¹ / ₈	3 ³ / ₈	3 ¹ / ₂	12	3	1	15	22 ⁷ / ₈	3 ¹ / ₄	4 ³ / ₁₆	4	5	6	6
800	8	8	11 ³ / ₁₆	5 ³ / ₁₆	7 ⁹ / ₃₂	6 ⁷ / ₃₂	8 ³ / ₈	5 ³ / ₄	1 ¹ / ₈	4	4 ¹ / ₈	12	3	1	15	24 ¹ / ₈	1	5 ⁹ / ₁₆	5	6	7	17



At the heart of your operations

Howden people live to improve our products and services and for over 160 years our world has revolved around our customers. This dedication means our air and gas handling equipment adds maximum value to your operations. We have innovation in our hearts and every day we focus on providing you with the best solutions for your vital operations.



603-210-2479

MIKE@BONARDI.COM

Revolving Around You™

©Howden Group Limited.
All rights reserved. 2016.

Howden and the flying H logo are registered
trademarks belonging to Howden Group Limited.